



Automotive care and equipment Portfolio 2022

OSRAM

Automotive care and equipment

Get your customers road ready

For over 110 years, our industry-leading automotive lights have helped motorists navigate the unexpected. Now, we're going beyond light with a new range of products designed to keep drivers moving, no matter what lies ahead. From our advanced UV air purifier and dash cameras to tyre care, battery care, and more – our automotive care & equipment portfolio will support drivers so they are well prepared for every journey.

Whether they're an avid car enthusiast who loves to get their hands dirty or they just want to maintain their vehicles, they'll find what they need in our portfolio. From our entry level options to professional tools and devices, every product is built with the quality you'd expect from OSRAM.

Get your customers road ready
Now your advice can be backed up with products

Our product categories:

LED accessories – Light always at hand

Our portfolio of high-quality LED products includes, among others, LED inspection lights value by drivers and mechanics around the world – bright, available in many sizes, shapes and LED warning lights – increasing the safety of drivers in emergency situations.

TYREcare – Handling the pressure of tyre maintenance

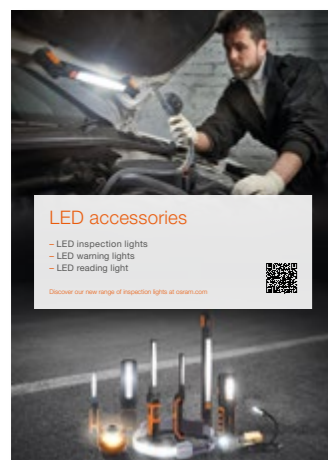
This range of premium quality tyre care products gets the optimum performance from tyres, even in tough conditions. With our devices you can check, inflate and seal tyres, wherever and whenever you need to. Benefit from optimal handling, better fuel economy – and longer tread life with our wide selection of pressure gauges, pumps and sealant kits.

BATTERYcare – The power to handle many situations

Our range of premium-quality battery care products puts the power in hands, so anyone can prevent being caught off-guard and unprepared. Recently BATTERY care product range has been expanded by BATTERYstart cables - starter cables in various variants and BATTERYcharge cables - getting easy charging at almost any charging station.

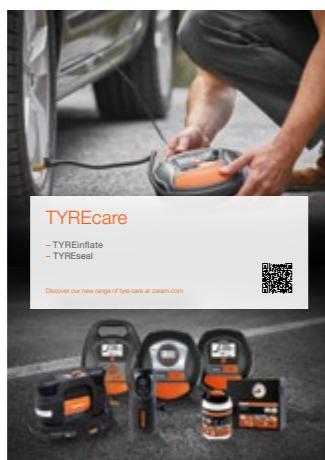
Dash cameras – Capture things you might miss

High-resolution and wide-angle lenses record activity outside your field of vision, allowing you to stay focused on the road ahead. Our range of premium quality dash cameras lets you capture unexpected details in crystal clear vision.



LED accessories
– LED inspection lights
– LED warning lights
– LED reading light

LED accessories
– LED inspection lights
– LED warning lights
– LED reading lights



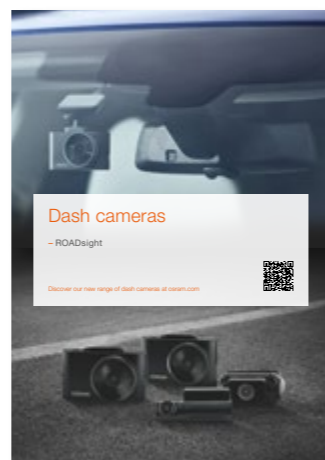
TYREcare
– TYREinflate
– TYREseal

TYREcare
– TYREinflate
– TYREseal



BATTERYcare
– BATTERYcharge
– BATTERYstart
– BATTERYtest

BATTERYcare
– BATTERYcharge
– BATTERYstart
– BATTERYtest



Dash cameras
– ROADsight

Dash cameras
– ROADsight

Useful information for end-users

OSRAMconnect mobile app – See the things that matter

Record, replay, download footage and data directly to your smartphone with the OSRAMconnect app. With remote access to recorded images and videos, handling disputes and claims has never been easier. Connect via your dashcam's Wi-Fi hotspot to adjust your dashcam's setting¹⁾ and access the evidence²⁾ you need, instantly. No need to unmount the camera or connect cables. But there is more, another product of the OSRAM brand is now compatible with the OSRAMconnect app. The OSRAM TYREinflate Connect 650 compressor can connect via Bluetooth with mobile device and the corresponding app, store up to 5 vehicles and their associated information. The respective data on vehicle and the associated tyres are retrieved automatically depending on availability or can also be entered manually.

Compatibility

Mobile connectivity is a premium feature, currently available with the ROADsight 30, ROADsight 50 dashcams and the OSRAM TYREinflate Connect 650.



Guarantee process for car care and equipment

Like all OSRAM products our automotive care and equipment products are carefully checked high quality products. Therefore OSRAM offers a 2 or 3 years guarantee.

If the products fail to work properly as a result of a product defect in non-commercial applications during the several years period are covered by the OSRAM guarantee.

Please note: The guarantee applies only to countries with customer service addresses.



Guarantee process for car care and equipment

Symbols:

Voltage	Wattage	Color temperature	Width w in mm	Shipping unit
Voltage charging	Lumens	Light color	Depth d in mm	
Voltage input	Lux	Height h in mm	Single packaging	

1) Please note: Individual special requirements and legislation of the countries must be observed, especially concerning the duration of the records/use and the transfer of data. Please make yourself familiar with the data protection laws of your country and ensure that you comply with them. Please also familiarize yourself and comply with the relevant laws and regulations regarding the use and ownership of dashcams in your country.
2) ROADsight dashcams come with firmware in 11 different languages: CZ, DE, EN, ES, FR, IT, NL, PL, RO, RU, SE. The OSRAMconnect App provides 7 languages: DE, EN, ES, FR, IT, NL, PL.



LED accessories

- LED inspection lights
- LED warning lights
- LED reading light



Discover our new range of inspection lights at [osram.com](https://www.osram.com)

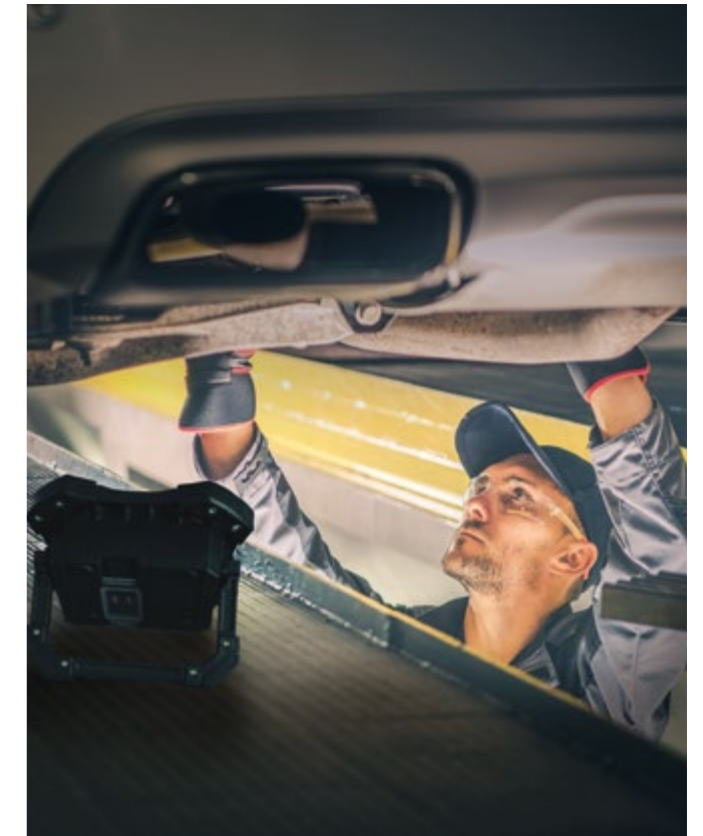


OSRAM LED inspection lights

A full line of premium inspection lights, specially-developed for the maintenance and repairs which are tackled every day, reinvents light, turning it into a functional tool for a garage. LEDinspect® enhances visibility with advanced LEDs that deliver exceptional luminosity. High performance, long-lasting LEDs produce up to 6000 Kelvin of powerful cool-white light, delivering intense brightness to the darkest corners.

Available in a variety of sizes and styles, these premium-quality lights are used by automotive professionals and enthusiasts around the world. Each unique light design reflects an understanding of professional applications and supplies light precisely where it is needed.

LEDinspect® inspection lights are designed and built for maintaining and repairing vehicles and to lighting up various areas at home and in garages. Many lights include features such as magnets, clips, hooks, torches and extensions to direct light and give hands-free options.



LED accessories | LED inspection lights

Features Explained



High power

High power lamps utilize the latest technology to provide a brighter, uniform wide angle light output compared with conventional LEDs. This allows a larger area of the engine bay to be illuminated.



Virtually Unbreakable

This is an international numeric classification for protection provided by enclosures for electrical equipment against external mechanical impacts created by various types of hammer. Up to a maximum of IK09 the larger the number the tougher the product.



Multi-Positioning

Multi-positioning is an essential feature for directional lighting allowing “hands free” operation. The magnets, ratcheting mechanisms and hooks allow you to position the light output exactly where you need it.



Light Output

Lumens are measurements of total light output. Making this measurement applicable for torches.



CE Approved

All OSRAM inspection lamps are tested and certified to the relevant EMC & LVD Directives.



3x faster charging
than a standard inspection lamp

LEDinspect®
range

Trade Up Summary



Product number	LEDIL406	LEDIL410	LEDIL403	LEDIL409	LEDIL408	LEDIL411	LEDIL405	LEDIL412	LEDIL402	LEDIL401	LEDIL104	LEDIL407	LEDIL415
Product name	FAST CHARGE SLIM 500	SLIM MAX 1000	SLIM 500	POCKET PRO 400	POCKET 200	POCKET -B200	FAST CHARGE PRO 500	TWIST 250	MAX 500	MINI 250	BONNET 1400	UTILITY 1000	RECHARGEABLE UNDERBONNET LIGHT
No. of LED's	1+1	1+1	1+1	1+1	1+1	1+1	1+1	1+1	1+1UV	1+1	168	1	32
High Lumen Output (lm)	500	1000	500	400	200	200	500	250	500	250	1400	1000	1200
Low Lumen Output (lm)	100	100	250	100	80	80	100	125	250	130	x	400	600
Torch Lumen Output (lm)	100	100	70	100	40	40	100	80	x	70	x	x	x
Power supply	USB-C	USB-C	USB-C	USB-C	USB-C	Alkaline 3x (AAA)	USB-C	DC Barrel Jack	USB-C	USB-C	Charging cable included	2 x Barrel Jack 2 x Charging plug	USB-C
Operating Time @ Max Output (h)	Up to 3	Up to 1.5	Up to 3.5	Up to 3	Up to 1.5	Up to 1.5	Up to 3	Up to 3	Up to 4.5	Up to 3	x	Up to 2.5	Up to 2
Max. Operating Time (h)	Up to 7	Up to 10.5	Up to 6	Up to 4	Up to 3	Up to 3	Up to 7	Up to 4	Up to 7.5	Up to 6	x	Up to 5.5	Up to 4.5
Charging Time (h)	ca. 1	ca. 3.5	ca. 3.5	ca. 4	ca. 2	x	ca. 1	ca. 4.5	ca. 5.5	ca. 3.5	x	ca. 5	ca. 3
Dimming	No	Yes	No	Yes	No	No	No	No	No	No	No	No	No
IP Rating	54	65	54	40	20	20	65	20	65	65	65	20	65
IK Rating	08	06	07	06	07	07	08	09	08	07	x	07	07
Foldable	Yes	No	Yes	Yes	Yes	Yes	No	No	No	No	No	No	No
Adjustability	180° flex 270° twist	120° flex	180° flex 270° twist	180° flex 360° twist	180° flex 360° twist	180° flex 360° twist	180° flex	120° flex 360° twist	180° flex 360° twist	180° flex	x	180° flex 360° twist	360° twist
Rechargeable	Yes	Yes	Yes	Yes	Yes	No	Yes	Yes	Yes	Yes	No	Yes	Yes
Charging equipment included	Yes	Yes	Yes	Yes	Cable included	No	Yes	Yes	Yes	Yes	Yes	Yes	Yes
Product weight (g)	230	308	155	206	120	110	380	488	350	215	1325	588	840
Battery Type	Lithium	Lithium	Lithium	Lithium	Lithium	Alkaline (AAA)	Lithium	Lithium	Lithium	Lithium	x	Lithium	Lithium
Kelvin (K)	5700	6000	6000	6000	6500	6500	5700	6000	6000	6000	6000	6500	6500

LEDinspect®
range

Trade Up Summary



Product number	LEDIL404	LEDIL414	LEDIL413
Product name	HEADTORCH 250	FLEXIBLE HEAD TORCH	WEARABLE NECK LIGHT
No. of LED's	1	1	1+1
High Lumen Output (lm)	250	115	265
Low Lumen Output (lm)	140	50	130
Torch Lumen Output (lm)	x	Yes	Yes
Power supply	USB-C	USB-C	USB Micro B
Operating Time @ Max Output (h)	Up to 3.5	Up to 4.5	Up to 3
Max. Operating Time (h)	Up to 6	Up to 5.5	Up to 4.5
Charging Time (h)	ca. 3.5	ca. 1.5	ca. 1.5
Dimming	No	No	No
IP Rating	54	42	54
IK Rating	08	x	07
Foldable	No	No	Yes
Adjustability	60° flex	x	90° flex
Rechargeable	Yes	Yes	Yes
Charging equipment included	Yes	Yes	Yes
Product weight (g)	105	62	115
Battery Type	Lithium	Lithium	Lithium
Kelvin (K)	5700	6000	6500

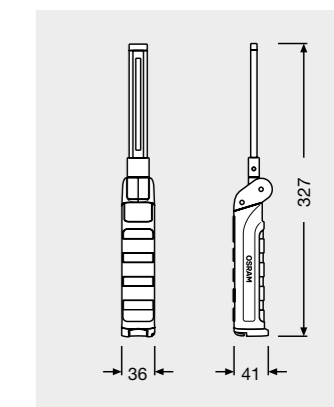
LEDinspect® FAST CHARGE SLIM 500 (LEDIL406)

Features

- Luminance: up to 500 lm (high), 100 lm (low), 100 lm (torch)
- Multi angle positioning – 180° flex & 270° twist and protection class: IP54, IK08
- Up to 5700 K
- Slim and compact foldable design
- Magnetic base & back
- USB-C charging – charging plug and cable included

Benefits

- Facilitates illumination in confined and hard to reach areas, perfect for on the go
- Adjustable beam angles for optimized illumination for different requirements
- Pleasant look and feel, easy to grip and dirt-resistant surface
- Immediate usage after purchase
- See the current charge status
- Durable and robust
- 2-years guarantee¹⁾



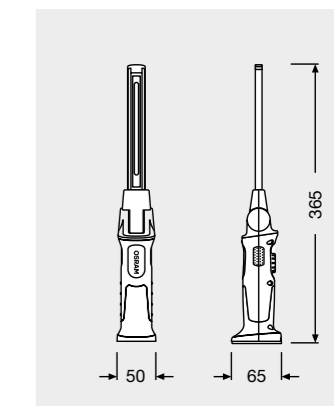
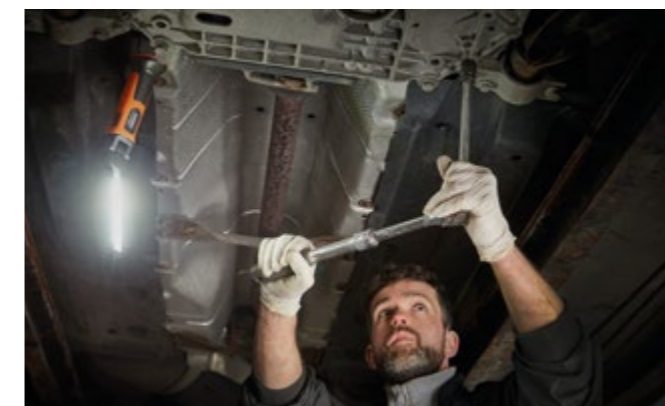
LEDinspect® SLIM MAX 1000 (LEDIL410)

Features

- Luminance: up to 1000 lm (high), 100 lm (low), 100 lm (torch)
- Multi angle positioning – 120° flex and protection class: IP65, IK06
- Up to 6000 K
- Integrated dimmer switch
- Magnetic base & back and hanging hook
- USB-C charging – charging plug and cable included

Benefits

- Super bright 1000 lm output allows for use in almost all environments
- Varying light output levels provide the right amount of light for the job
- Pleasant look and feel, easy to grip and dirt-resistant surface
- Immediate usage after purchase
- See power status via battery charge indicator
- Durable and robust
- 2-years guarantee¹⁾



OSRAM LED inspection lights

Product Number	EAN	V	W	lm	K	h [mm] ²⁾	W [mm] ²⁾	d [mm] ²⁾	Icon 1	Icon 2
LEDIL406	4052899623873	3.7	9.25	500/100	5700	185	58	85	1	6
LEDIL410	4052899622913	3.7	10	1000/100	6000	370	72	90	1	6

1) Refer to www.osram.com/am-guarantee for precise conditions.
2) Packaging dimensions (height x width x depth).

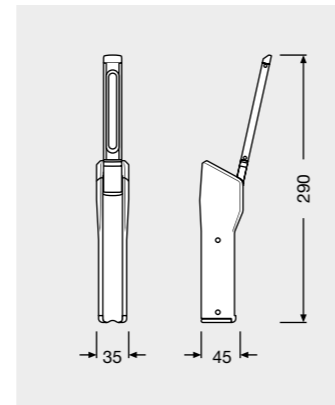
LEDinspect® SLIM 500 (LEDIL403)

Features

- Luminance: up to 500 lm (high), 250 lm (low), 70 lm (torch)
- Multi angle positioning – 180° flex & 270° twist and protection class: IP54, IK07
- Up to 6000 K
- Magnetic base, hanging hook, foldable
- USB-C charging – charging plug and cable included

Benefits

- Ustable angles to give light where needed, extremely flexible in use
- Varying light output levels provide the right amount of light for the job
- Pleasant look and feel, easy to grip and dirt-resistant surface
- Immediate usage after purchase
- See power status via battery charge indicator
- Durable and robust
- 2-years guarantee¹⁾



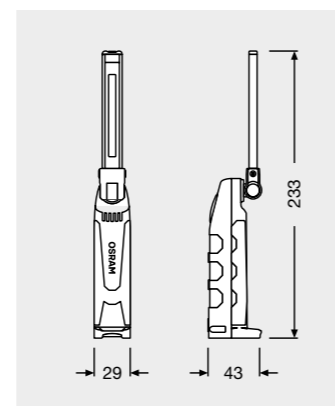
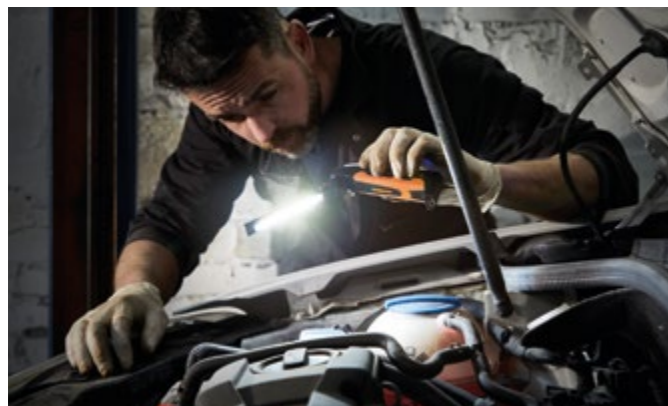
LEDinspect® POCKET PRO 400 (LEDIL409)

Features

- Luminance: up to 400 lm (high), 100 lm (low), 100 lm (torch) + dimming switch
- Multi angle positioning – 180° flex & 360° twist and protection class: IP40, IK06
- Up to 6000 K
- Slim, compact, lightweight & foldable design
- Magnetic base & back and hanging hook
- USB-C charging – charging plug and cable included

Benefits

- Facilitates illumination in confined and hard-to-reach areas, perfect for on-the-go
- Varying light output levels provide the right amount of light for the job, dimming switch for individual light adjustment
- Pleasant look and feel, easy to grip and dirt-resistant surface
- Immediate usage after purchase
- See power status via battery charge indicator
- Durable and robust
- 2-years guarantee¹⁾



OSRAM LED inspection lights

Product Number	EAN	V	W	lm	K	h [mm] ²⁾	W [mm] ²⁾	d [mm] ²⁾	1	6
LEDIL403	4052899623842	3.7	9.62	500/250	6000	182	54	68	1	6
LEDIL409	4052899622906	3.7	9.62	400/100	6000	190	55	100	1	6

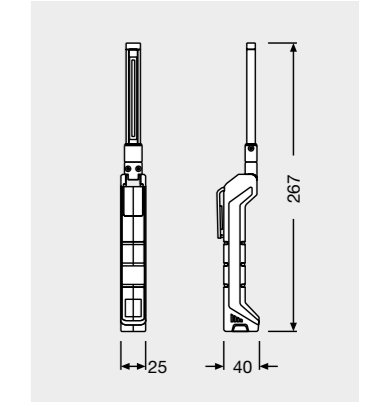
LEDinspect® POCKET 200 (LEDIL408)

Features

- Luminance: up to 200 lm (high), 80 lm (low), 40 lm (torch)
- Multi angle positioning – 180° flex & 360° twist and protection class: IP20, IK07
- Up to 6500 K
- Slim, compact, lightweight & foldable design
- Magnetic base
- USB-C charging – charging plug and cable included

Benefits

- Facilitates illumination in confined and hard-to-reach areas, perfect for on-the-go
- Varying light output levels provide the right amount of light for the job
- Pleasant look and feel, easy to grip and dirt-resistant surface
- Immediate usage after purchase
- See power status via battery charge indicator
- Durable and robust
- 2-years guarantee¹⁾



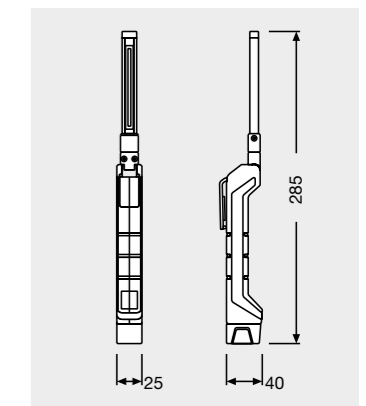
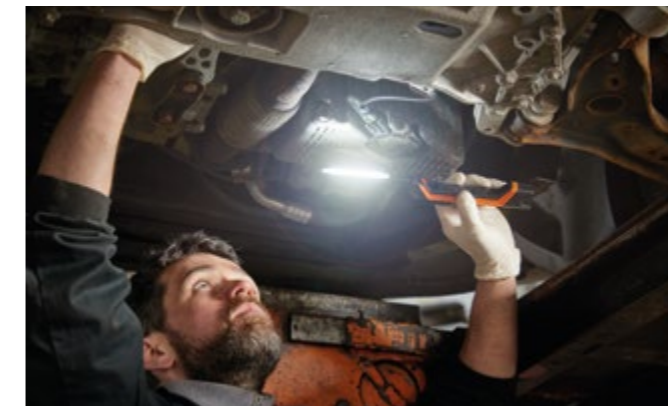
LEDinspect® POCKET-B200 (LEDIL411)

Features

- Luminance: up to 200 lm (high), 80 lm (low), 40 lm (torch)
- Multi angle positioning – 180° flex & 360° twist and protection class: IP20, IK07
- Up to 6500 K
- Slim, compact, lightweight & foldable design
- Magnetic base
- 3 x AAA battery included

Benefits

- Flexible and twistable, extremely adaptable inspection light, adjustable angles to give light where needed
- Varying light output levels provide the right amount of light for the job
- Pleasant look and feel, easy to grip and dirt-resistant surface
- Immediate usage after purchase
- Durable and robust
- 2-years guarantee¹⁾



OSRAM LED inspection lights

Product Number	EAN	V	W	lm	K	h [mm] ²⁾	W [mm] ²⁾	d [mm] ²⁾	1	6
LEDIL408	4052899623897	3.7	2.96	200/80	6500	155	47	49	1	6
LEDIL411	4052899622927	3.7	2.96	200/80	6500	172	28	49	1	6

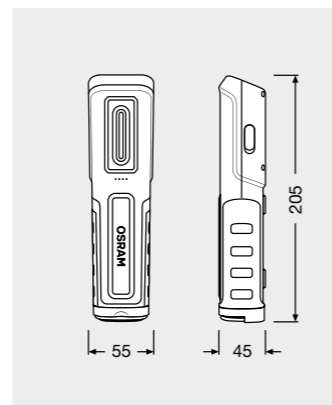
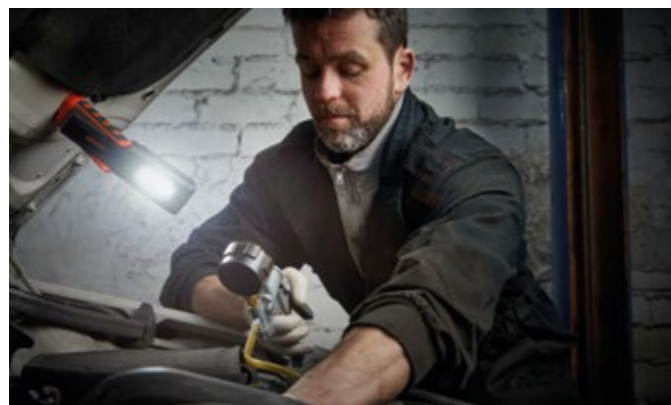
LEDinspect® FAST CHARGE PRO 500 (LEDIL405)

Features

- Luminance: up to 500 lm (high), 100 lm (low), 100 lm (torch)
- Multi angle positioning – 180° flex and protection class: IP65, IK08
- Up to 5700 K
- Slim, compact, lightweight & foldable design
- Magnetic base & back and hanging hook
- USB-C charging – charging plug and cable included

Benefits

- Charges up to three times faster than a standard inspection lamp
- Varying light output levels provide the right amount of light for the job
- Pleasant look and feel, easy to grip and dirt-resistant surface
- Immediate usage after purchase
- See power status via battery charge indicator
- Durable and robust
- 2-years guarantee¹⁾



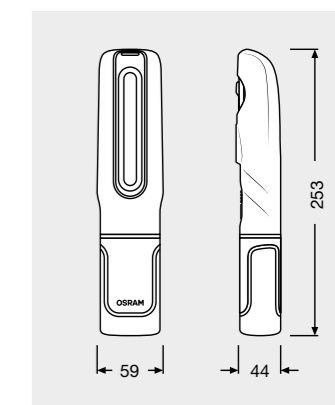
LEDinspect® MAX 500 (LEDIL402)

Features

- Luminance: up to 500 lm (high), 250 lm (low)
- Multi angle positioning – 180° flex & 360° twist and protection class: IP65, IK08
- Up to 6000 K
- UV-light function (1 LED + 1 UV LED)
- Magnetic base & back and hanging hook
- USB-C charging – charging plug and cable included

Benefits

- UV torch for leak detection during vehicle inspection
- Varying light output levels provide the right amount of light for the job
- Pleasant look and feel, easy to grip and dirt-resistant surface
- Immediate usage after purchase
- See power status via battery charge indicator
- Durable and robust
- 2-years guarantee¹⁾



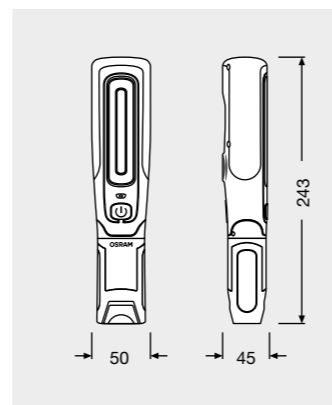
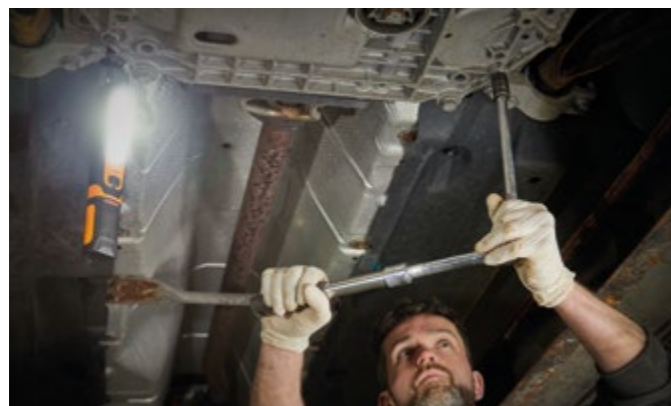
LEDinspect® TWIST 250 (LEDIL412)

Features

- Luminance: up to 250 lm (high), 125 lm (low), 80 lm (torch)
- Multi angle positioning – 120° flex & 360° twist and protection class: IP20, IK09
- Up to 6000 K
- Magnetic base & back and hanging hook
- Charging plug and cable included

Benefits

- Flexible and twistable, extremely adaptable inspection light, adjustable angles to give light where needed
- Varying light output levels provide the right amount of light for the job
- Pleasant look and feel, easy to grip and dirt-resistant surface
- Immediate usage after purchase
- Durable and robust
- 2-years guarantee¹⁾



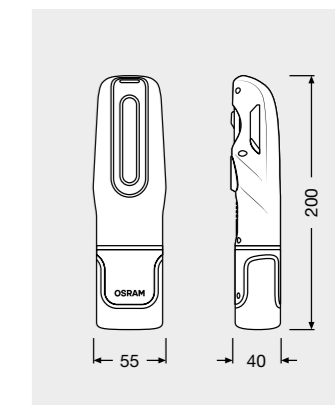
LEDinspect® MINI 250 (LEDIL401)

Features

- Luminance: up to 250 lm (high), 130 lm (low), 70 lm (torch)
- Multi angle positioning – 180° flex and protection class: IP65, IK07
- Up to 6000 K
- Magnetic base, back and hanging hook
- USB-C charging – charging plug and cable included

Benefits

- Varying light output levels provide the right amount of light for the job
- Adjustable angles to give light where needed
- Pleasant look and feel, easy to grip and dirt-resistant surface
- Immediate usage after purchase
- See power status via battery charge indicator
- Durable and robust
- 2-years guarantee¹⁾



OSRAM LED inspection lights

Product Number	EAN	V	W	lm	K	h [mm] ²⁾	W [mm] ²⁾	d [mm] ²⁾	1	6
LEDIL405	4052899623866	3.7	9.25	500/100	5700	220	58	98	1	6
LEDIL412	4052899623934	3.7	8.14	250/125	6000	362	55	87	1	6

OSRAM LED inspection lights

Product Number	EAN	V	W	lm	K	h [mm] ²⁾	W [mm] ²⁾	d [mm] ²⁾	1	6
LEDIL402	4052899623835	3.7	16.5	500/250	6000	262	50	90	1	6
LEDIL401	4052899623828	3.7	7.4	250/130	6000	210	50	90	1	6

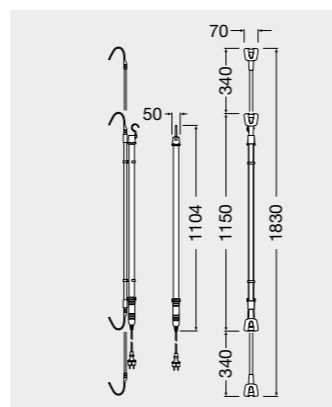
LEDinspect® PRO BONNET 1400 (LEDIL104)

Features

- Luminance: 1400 lm
- Operable via 5m cable and adjustable telescopic mounting bracket
- Protection class: IP65, IK06
- Up to 6000 K
- Premium OSRAM quality with ultra-slim design
- Long lifetime thanks to powerful long-lasting LEDs

Benefits

- Excellent illumination for all types of professional inspection and maintenance
- Flexible working for mounting under the hood of the vehicle or with integrated hook
- Easy-to-grip and dirt-resistant surface
- More durability due to LED technology for a very long service life
- 3-years guarantee¹⁾



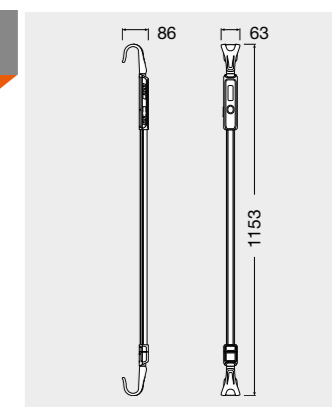
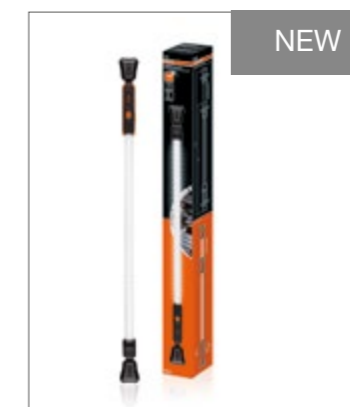
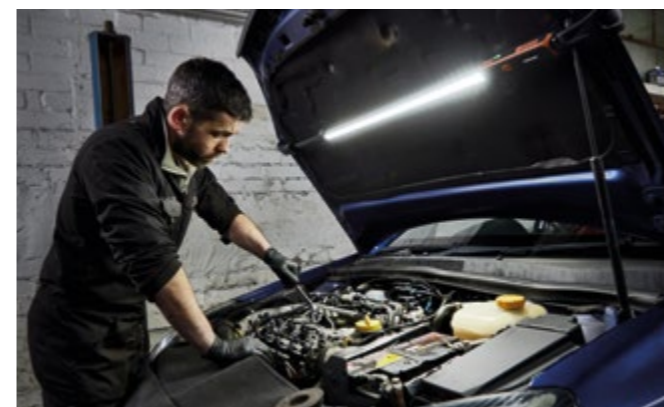
LEDinspect® RECHARGEABLE UNDERBONNET LIGHT (LEDIL415)

Features

- Luminance: up to 1200 lm (high), 600 lm (low)
- 360° rotation of light bar
- Protection class: IP65, IK07
- Up to 6500 K
- Extendable up to 1.8m
- Rechargeable via USB-C port – 3h charging time
- Battery power indicator

Benefits

- Withstands harsh conditions of workshop environments
- Adjust the angle of the light to suit user needs
- Choice of outputs to suit the task at hand
- Fits almost all vehicles
- See charging status
- Avoid damage to vehicle due to lightweight design
- 2-years guarantee¹⁾



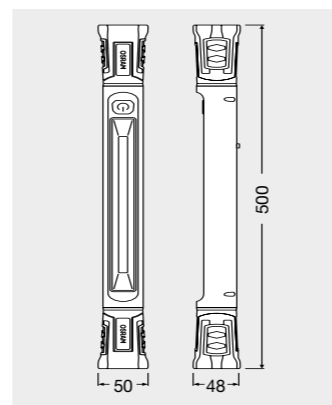
LEDinspect® UTILITY 1000 (LEDIL407)

Features

- Luminance: up to 1000 lm (high), 400 lm (low)
- Multi angle positioning – 180° flex & 360° twist and protection class: IP20, IK07
- Up to 6500 K
- Magnetic base and hanging hook
- 2x charging plugs and 2x cables included

Benefits

- Super bright 1000 lm output allows for use in almost all environments
- Multi-functional – can be used hand held, flood lamp or underbonnet lamp
- Varying light output levels provide the right amount of light for the job
- Immediate usage after purchase
- See power status via battery charge indicator
- Durable and robust
- 2-years guarantee¹⁾



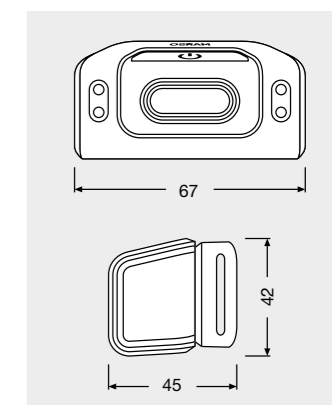
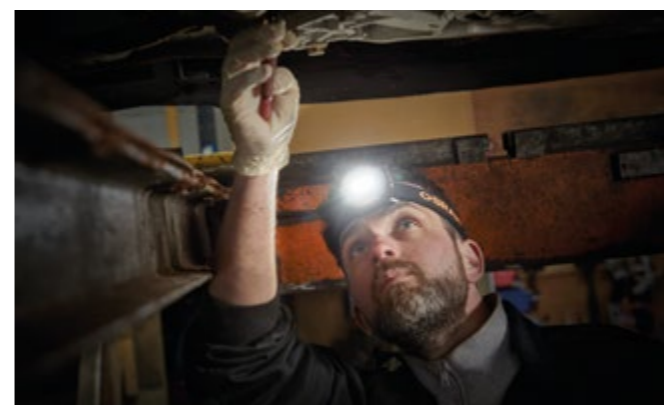
LEDinspect® HEADTORCH 250 (LEDIL404)

Features

- Luminance: up to 250 lm (high), 140 lm (low)
- Multi angle positioning – 60° flex and protection class: IP54, IK08
- Up to 5700 K
- Integrated motion sensor technology
- USB-C charging – charging plug and cable included

Benefits

- Easily control light during hands free use thanks to motion sensor activation
- Provides comfort for hours of use thanks to soft pads and an adjustable harness
- Adjustable angles to give light where needed
- Varying light output levels provide the right amount of light for the job
- Immediate usage after purchase
- Durable and robust
- 2-years guarantee¹⁾



OSRAM LED inspection lights

Product Number	EAN	V	W	lm	K	h [mm] ²⁾	W [mm] ²⁾	d [mm] ²⁾	1	4
LEDIL104	4052899970632	220	13-15	1.400	6000	1140	76	143	1	4
LEDIL407	4052899623880	7.4	19.24	1000/400	6500	625	57	80	1	6

OSRAM LED inspection lights

Product Number	EAN	V	W	lm	K	h [mm] ²⁾	W [mm] ²⁾	d [mm] ²⁾	1	4
LEDIL415	4052899631021	3.7	16.28	1200	6500	1175	105	75	1	4
LEDIL404	4052899623859	3.7	5.55	300/60	5700	98	66	80	1	6

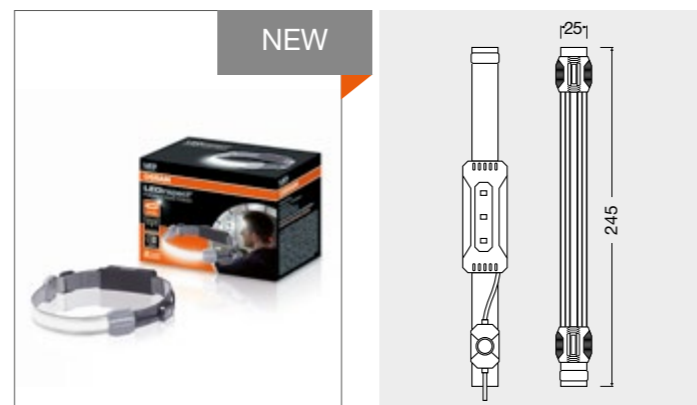
LEDinspect® FLEXIBLE HEAD TORCH (LEDIL414)

Features

- Luminance: up to 115 lm (high), 50 lm (low) and strobe
- Dual light : COB LED strip at the front / red LEDs at the rear
- Protection class: IP42
- Up to 6000 K
- Wide, uniform light distribution creating a comfortable working environment
- Rechargeable lithium battery : 1.5hrs charge time

Benefits

- Rear red LEDs – suitable for on highway applications for increased safety
- Comfortable hands-free working
- Long lifetime from single charge
- Water & dust resistant
- Flexible, foldable design makes the product easy to store and transport
- 2-years guarantee¹⁾



LEDinspect® WEARABLE NECK LIGHT (LEDIL413)

Features

- Luminance: up to 265 lm (high), 130 lm (low)
- Multi angle positioning – 90° flex
- Protection class: IP54, IK07
- Up to 6500 K
- Rechargeable neck light with detachable torches and built in magnet
- Separately powered torches with a power button on each
- Rechargeable lithium battery: 3h run time at high output; 4.5h at low output

Benefits

- Hands free working and an alternative to a head torch
- Maximum flexibility – can be mounted around neck, head, in hand or on a magnetic surface
- Multifunctional usage
- Water & dust resistant
- Long lifetime from single charge
- 2-years guarantee¹⁾



OSRAM LED inspection lights

Product Number	EAN	V	W	lm	K	h [mm] ²⁾	w [mm] ²⁾	d [mm] ²⁾	1	12
LEDIL414	4052899630994	3.7	3.7	265	6000	70	92	42	1	12
LEDIL413	4052899630987	3.7	1.85	115	6500	163	178	45	1	6

OSRAM LED warning lights

Prepared for serious situations

OSRAM LEDguardian® warning lights are the ideal LED accessory for drivers who want to be equipped for any situation. The compact design allows to store the warning light within easy reach in the car and, if necessary, the magnetic function allows it to be quickly and easily attached directly to the vehicle. Does not necessarily be the roof.

In an emergency, it can provide crucial information about a dangerous situation in road traffic. In contrast to the warning triangle, it draws the attention of other road users to an unusual situation in traffic by actively flashing, distinguished from the simple reflection of a warning triangle. Three lights that should accompany every situation.

OSRAM LIGHTsignal

The OSRAM LIGHTsignal BEACON LIGHT is a 360° rotating yellow beacon light that can be mounted on vehicles with unusual width, length or load, as well as on municipal vehicles, emergency, command and accident relief vehicles to draw attention to an unusual situation on the road or in the working environment.



LEDguardian® TRUCK FLARE Signal TA19 (LEDSSL103)¹⁾

Features

- LED warning light + LED torch light
- Protection class: IP54, IK06
- Up to 6000 K
- Bright amber flashing light and bright white torch light
- Mandatory¹⁾ in Germany for vehicles ≥3.5t recommended for other countries & vehicles ≤ 3.5t – GGVS/ADR certified
- Street legal in Germany – TA19 StVZO
- 4 x AA battery included

Benefits

- Signals the position of the damaged, broken down etc. vehicle simply by positioning the truck flare next to the warning triangle
- Torch light allowing different product applications, such as the usage as a working or inspection light
- Water, dust and impact resistant
- Small, compact, lightweight and yet stable
- Non-slip, stable standing feet
- 2-years guarantee²⁾



OSRAM LED warning lights

Product Number	EAN	V	W	lm	COLOR	K	h [mm] ³⁾	w [mm] ³⁾	d [mm] ³⁾	1	10
LEDSSL103	4062172185967	6	3/1.5	100/15	Amber/White	6000/2000	255	100	50	1	10

LEDguardian® ROAD FLARE Signal TA20 (LEDSSL104)

Features

- Officially approved for road use in Germany in accordance with § 53a section 3 TA20 StVZO¹⁾
- Officially authorized by TÜV & KBA
- Rechargeable 5200mAh Li-Ion battery via USB-C charging cable – included in scope of supply
- 360° flashing amber warning light and protection class: IP54
- Up to 2000 K, 18 high-quality long-life LEDs
- Particularly high wind resistance
- TA20, CE, UKCA certification
- Battery runtime up to 15h

Benefits

- Signals the position of the damaged vehicle simply by pulling out the arm through the window to position it on the car
- Compact design for quick and easy attachment to the vehicle
- Long lifespan and therefore energy efficient
- Water, dust and wind resistant
- Practical and modern design
- Small, compact, lightweight – easy and intuitive to use
- Due to the magnetic function the LED warning light can be conveniently attached to the car and other vehicles
- 2-years guarantee²⁾



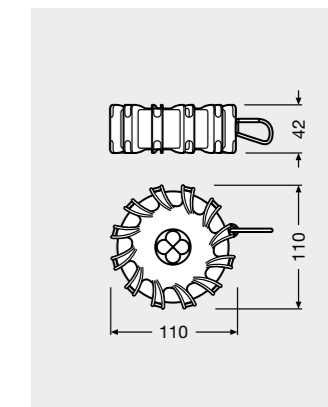
LEDguardian® ROAD FLARE (LEDSSL302)¹⁾

Features

- Multifunctional LED warning light with rotating amber light (two modes flashing & continuous-on) and white torch light
- Magnetic with protection class: IP20
- Up to 6000 K
- OSRAM quality
- Increased lifetime thanks to long-lasting LEDs
- 3 x AAA battery included

Benefits

- See and be seen in emergency situations with up to 240m distance
- Flexible mounting on various surfaces and crush-proof – doesn't break even when run over by a car²⁾
- Immediate usage after purchase
- More durability due to LED technology for a long service life
- 2-years guarantee³⁾



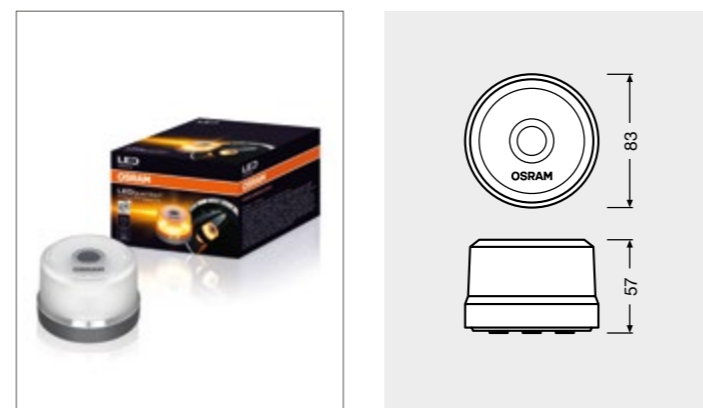
LEDguardian® ROAD FLARE Signal V16 (LEDSSL102)

Features

- 140 lm light output and up to 1000m lightrange
- 360° flashing amber warning light
- Protection class: IP54
- Up to 2000 K
- CE certification
- Stated in the General Vehicle Regulations & approved by Royal Decree
- High-performance long-life LEDs
- 1 x 9V battery included

Benefits

- Signals the position of the damaged vehicle simply by pulling out the arm through the window to position it on the car
- Compact design for quick and easy attachment to the vehicle
- Insensitive to shocks and the ingress of dust and water
- Non-slip, dirt-repellent surface
- Small, compact, lightweight – easy and intuitive to use
- Due to the magnetic function the LED warning light can be conveniently attached to the car and other vehicles
- 2-years guarantee²⁾



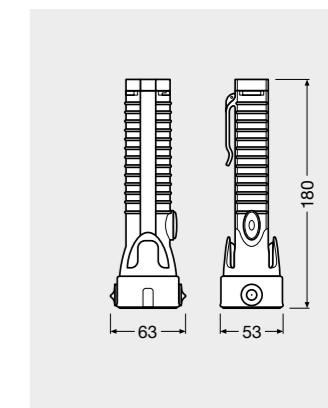
LEDguardian® SAVER LIGHT PLUS (LEDSSL101)¹⁾

Features

- Multifunctional LED warning light with two light functions (amber flashing and white torch light)
- Magnetic with holder and protection class: IP44, IK07
- Up to 6500 K
- Emergency light with seat-belt cutter and emergency hammer
- OSRAM quality
- Increased lifetime thanks to long-lasting LEDs
- 2 x AA battery included

Benefits

- Be prepared for serious situations, thanks to high quality, long lasting LEDs
- Getting out by smashing the window or cutting the seat-belt
- Flexible mounting possibilities as well as dirt-resistant
- More durability due to LED technology for a long service life
- 2-years guarantee³⁾



OSRAM LED warning lights

Product Number	EAN	V	W	lm	COLOR	K	h [mm] ³⁾	W [mm] ³⁾	d [mm] ³⁾	Weight	Quantity
LEDSSL104	4062172295840	3.7	2.2	135	Orange/Amber	1800/2000	91	91	77	1	20
LEDSSL102	4062172184359	9	6	140	Amber	2000	34	34	25	1	20

OSRAM LED warning lights

Product Number	EAN	V	W	lm	COLOR	K	h [mm] ⁴⁾	W [mm] ⁴⁾	d [mm] ⁴⁾	Weight	Quantity
LEDSSL302	4052899184053	4.5	0.5	25	Amber/White	2800/6000	160	46	213	1	24
LEDSSL101	4052889132344	3	1.7	105	Amber/White	6500	245	135	68	1	6

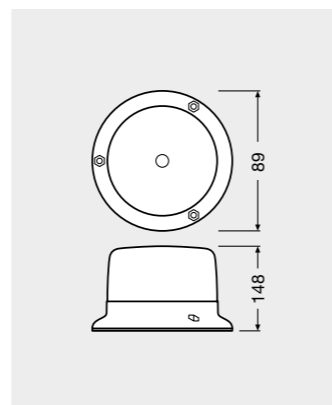
LIGHTsignal LED (RBL102)

Features

- Up to 1200 lm
- 360° rotating beacon light
- Protection class: IP65, IK08
- Up to 1900 K
- 12V/24V compatible
- Certified in accordance with ECE R10 and R65
- Mounting method: 3 bolt fix
- 8 High-performance long-life LEDs

Benefits

- Improved visibility and thus increased safety for you and others
- Compact and modern design
- Mounting material included in scope of supply
- LEDs provide high luminosity by day and night
- Insensitive to shocks and the ingress of dust and water
- 2-years guarantee¹⁾



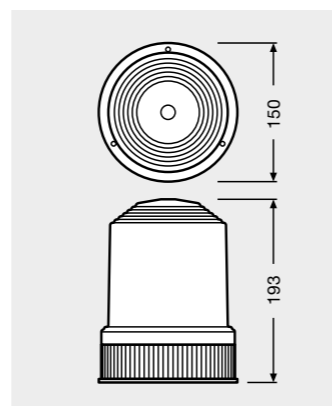
LIGHTsignal HAL (RBL101)

Features

- Up to 1900 lm
- 360° rotating beacon light
- Protection class: IP65
- Up to 2200 K
- 24V compatible
- Certified in accordance with ECE R10 and R65
- Mounting method: 3 bolt fix
- Shock absorbing, fully rubberized base

Benefits

- Improved visibility and thus increased safety for you and others
- Robust and functional design
- Mounting material included in scope of supply
- Optimum light output, bundling and distribution due to rotating unit consisting of highly polished parabolic reflector and H1 halogen lamp
- Insensitive to shocks and the ingress of dust and water
- 2-years guarantee¹⁾



OSRAM LED warning lights

Product Number	EAN	V	W	lm	COLOR	K	h ²⁾ [mm]	W ²⁾ [mm]	d ²⁾ [mm]		
RBL102	4062172232258	12/24	7	1200	Amber/White	1900	130	154	154	1	12
RBL101	4062172192828	24	70	1900	Amber/White	2200	235	155	155	1	12

OSRAM LED reading lights

Good light for a good ride

With its elegant and dynamic design, the ONYX COPILOT LED reading light achieves seamless integration into vehicle interiors. With its high flexibility, the reading light has a wide range of options for illuminating specific areas of the vehicle interior. The neck of the light is made of matt black silicon rubber and can be individually adjusted.

The LED lifetime of ONYX COPILOT is extremely long: up to 20.000 hours! The Luminaire can be switched on/off and remain connected permanently (L+7) or just temporarily by cigarette lighter plug (M+7) or by USB plug (USB). OSRAM provides a 2 year guarantee for this stylish light.



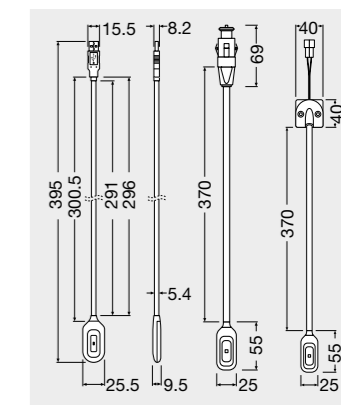
ONYX COPILOT (ONYX M+7; L+7; USB)

Features

- Bright LED reading light for vehicle interior, 12V/24V compatible
- High protection class
- Up to 3000 K
- Individual adjustment thanks to bendable neck
- Service life (LED): up to 20.000 h
- Different plug-in ports (cigarette lighter, USB port, fix mounting) available

Benefits

- Pleasant warm and glare-free
- LED light
- Light can be switched on/off and remain connected permanently
- Provides simple installation
- Pleasant look and feel, easy to grip and dirt-resistant surface
- 2-years guarantee¹⁾



OSRAM LED reading lights

Product Number	EAN	V	W	lm	lx	K	h ²⁾ [mm]	W ²⁾ [mm]	d ²⁾ [mm]		
ONYX-USB	4052899601000	-	0.5	20	18	3000	110	35	290	1	4
ONYX M+7	4052899077270	12/24	0.5	20	18	3000	110	35	290	1	4
ONYX L+7	4052899414938	12/24	0.5	20	18	3000	110	35	290	1	4



TYREcare

- TYREinflate
- TYREseal



Discover our new range of tyre care at osram.com



OSRAM TYREinflate

Advantages

With the new TYREinflate assortment by OSRAM, drivers can now quickly and easily check the pressure of their tyres themselves and adjust it if necessary. Maintaining tyre pressure regularly helps keeping control of vehicle on the road. Furthermore, the optimal tyre pressure prevents increased abrasion and can therefore prolong the replacement cycles for tyres.

Flexible in use

Whether at home in a garage, at a car park by the road, or on holiday: The portable compressors of the TYREinflate family are handy, light and easy to store thanks to their compact dimensions. Finally, there is no longer a need to deal with different tyre inflators at gas stations. It saves time and frustration: thanks to OSRAM's automatic tyre compressors, every tyre pressure test becomes child's play.

Wide range of applications

OSRAM's automatic tyre pumps can be used not only for car tyres, but also, for example, for the tyres of motorbikes, bicycles trailers and even strollers, provided they are fitted with pneumatic tyres.

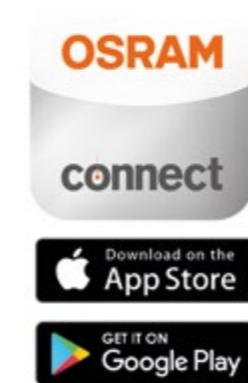
Easy handling

All TYREinflate tyre pumps have a 12V car battery connection. This allows the portable compressors to be powered conveniently from the vehicle's cigar lighter socket. The models TYREinflate450 and TYREinflate1000 with their backlit digital displays work very fast and are easy to operate thanks to large buttons. They also have an automatic stop function that sets in when the desired tyre pressure is reached. With the new TYREinflate Connect 650, it is now possible to easily check and control the tyre pressure, start the inflation process and check for a loss of pressure by just using a mobile device and thanks to its compatibility with the OSRAMconnect app.



TYREcare | TYREinflate

OSRAMconnect app.



- The Osram Connect App has been integrated with data from a third party database, which allows the App to source and display the required tyre pressures for the vehicle models, which are selected by users
- In some countries, users are also able to identify the vehicle make and model by registration number (VRM). The application then retrieves the tyre specifications as well as pressures as recommended by the manufacturers
- In other countries this is not possible, but the App can still provide tyre specifications once the user has manually input the vehicle make and model details
- In addition, the corresponding tyre pressure can be entered manually

App Language Availability

Austria: German, English; **Belgium:** Dutch, French, English; **France:** French, English; **Germany:** German, English; **Italy:** Italian, English; **Luxemburg:** French, German, English; **Netherlands:** Dutch, English; **Poland:** Polish, English; **Spain:** Spanish, English; **Switzerland:** French, German, Italian, English; **All Other Countries:** English

TYREinflate
range
Trade Up Summary



Product number	OTI200	OTI450	OTIC650	OTI1000	OTI830	OTIR6000	OTIR2000
Product name	TYREinflate 200	TYREinflate 450	TYREinflate Connect 650	TYREinflate 1000	TYREinflate 830	TYREinflate 6000	TYREinflate 2000
Display type	Large Analogue	Digital	Digital	Large Digital	Digital	Large Digital	Digital
Inflation time	4.5 mins ¹⁾	3.5 mins ¹⁾	3 mins ¹⁾	2 mins ¹⁾	2 mins ¹⁾ / 5 mins ²⁾	2 mins ¹⁾	2 mins ³⁾
Auto-Stop function	No	Yes	Yes	Yes	Yes	Yes	Yes
Light	No light	LED light	LED light	LED light	LED light	LED light	LED light
12V Power/Li-on Battery	12V	12V	12V	12V	12V	12V Li-on Battery	3.7V Li-on Battery
Wind Up 12V cable	Yes	Yes	Yes	Yes	No	No	No
Case	No	No	Yes	Yes	Yes	Yes	Yes
Gloves & Spare Dust caps	No	No	No	Yes	No	Yes	No
Adapters	Yes	Yes	Yes	Yes	Yes	Yes	Yes

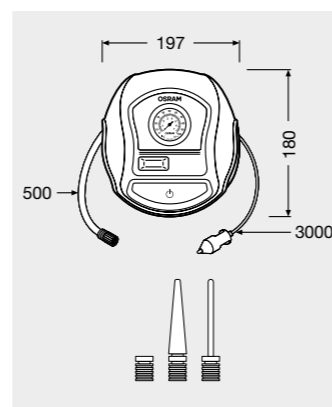
TYREinflate 200 (OTI200)

Features

- 50mm analogue pressure gauge
- Inflates a tyre from flat in 4.5 minutes¹⁾
- Wind-up power cable
- Valve cap storage compartment
- Flexible 50cm air hose with easy access storage
- Screw stem connector
- Flat design
- Large on/off button
- Complete with three-piece adaptor kit
- 3m power cable with fused 12V DC plug

Benefits

- Easy to read with clear range indicator of the most common tyre pressures
- To store and neatly pack away the power cable
- Securely storing valve caps during inflation
- Designed to reduce kinks, preventing unnecessary wear and tear
- Helps reach awkwardly placed tire valves
- Maximum stability during inflation
- To inflate bicycles, balls and other inflatables
- 2-years guarantee²⁾



OSRAM TYREinflate

Product Number	EAN	V	W	h [mm] ³⁾	W [mm] ³⁾	d [mm] ³⁾	1	4
OTI200	4052899620209	12	120	186	83	203	1	4

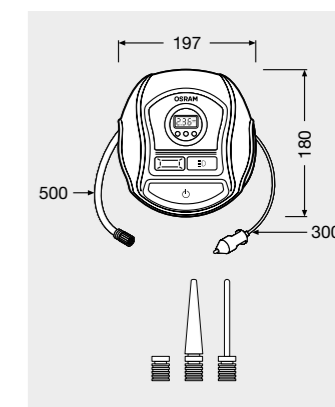
TYREinflate 450 (OTI450)

Features

- Digital pressure gauge display
- 3.5 minutes¹⁾ inflation time – faster inflation than the TYREinflate 200
- Auto-Stop function and valve cap storage compartment
- Bright directional white LED light and screw stem connector
- Digital backlit display with memory setting showing pressure readings in BAR, kPA and PSI
- Large on/off button and flat design
- Complete with three-piece adaptor kit
- 3m power cable with fused 12V DC plug

Benefits

- Stops inflating when target pressure reached
- Quick inflation, less time spent on maintenance
- Securely storing valve caps during inflation
- Designed to reduce kinks, preventing unnecessary wear and tear
- To store and neatly pack away the power cable
- For illumination in low light conditions
- Improved reading or pressure settings with illumination in dark environments
- 2-years guarantee⁴⁾



OSRAM TYREinflate

Product Number	EAN	V	W	h [mm] ⁵⁾	W [mm] ⁵⁾	d [mm] ⁵⁾	1	4
OTI450	4052899620216	12	120	245	95	230	1	4

TYREinflate Connect 650 (OTIC650)

Features

- OSRAMconnect App compatible
- Large digital backlit display with status bar
- 3 minutes¹⁾ inflation and Auto-Stop function
- Includes a case, three-piece adaptor kit
- Large digital backlit display with memory setting showing pressure readings in BAR, kPA and PSI
- Valve cap storage compartment
- Wind-up cable, large on/off button and flat design
- 65cm flexible air hose with easy access
- 3.3m power cable with fused 12V DC plug

Benefits

- Quickly releases too much pressure in the tyres
- Helps reach awkwardly placed tyre valves
- Securely storing valve caps during inflation
- Designed to reduce kinks, preventing unnecessary wear and tear
- Access to all four tyres
- Maximum stability during inflation
- To store and neatly pack away the power cable
- To inflate bicycles, balls and other inflatables
- 2-years guarantee²⁾



TYREinflate Connect 650 - App Features

- Connects via Bluetooth directly with the OSRAM Connect App on smart phone (iOS or Android)
- Can store up to 5 vehicles and the corresponding information
- Incl. function to detect loss of tyre pressure
- Evolving App technology & functions to ensure that OSRAM Connect becomes the essential vehicle maintenance system

OSRAM TYREinflate

Product Number	EAN	V	W	h (mm) ³⁾	W (mm) ³⁾	d (mm) ³⁾		
OTIC650	4052899622883	12	120	232	95	216	1	4

TYREinflate 1000 (OTI1000)

Features

- Large digital display with status bar
- 2 minutes¹⁾ inflation – even faster inflation times
- Easy-set dial with Auto-Stop
- Includes a case, latex gloves and spare dust caps
- Large digital backlit display with memory setting showing pressure readings in BAR, kPA and PSI
- Valve cap storage compartment
- Wind-up cable, large on/off button and flat design
- 70cm flexible air hose with easy access
- 3.5m power cable with fused 12V DC plug

Benefits

- Quick to set with auto stop at the target pressure
- Rapid inflation, less time spent on maintenance
- Securely storing valve caps during inflation
- Designed to reduce kinks, preventing unnecessary wear and tear
- Access to all four tyres
- Easy use with dirty, greasy hands or in poor lighting conditions
- Easily track your inflation progress
- To inflate bicycles, balls and other inflatables
- 2-years guarantee³⁾



TYREinflate 830 (OTI830)

Features

- Digital pressure gauge display
- Inflates a tyre from flat in 2 minutes¹⁾ / 5 minutes²⁾
- Auto-Stop function
- Powerful LED Light
- Digital backlit display with memory setting showing pressure readings in BAR, kPA and PSI
- Powerful 180W, 15A Tyre Inflator, suitable for larger vehicles
- Deflator Valve
- Complete with three-piece adaptor kit
- Extra long 4-meter power cable with 12V DC connection

Benefits

- Stops inflating when target pressure reached
- Easy to remove any excess pressure when required
- Perfect for use across various larger vehicles, including motorhomes, 4x4s, SUVs and vans
- Plug in to vehicle 12V socket & with long reach
- Versatile and suitable for use on bicycles and small sports inflatable
- Easy to read and see inflation progress, even in dimly lit conditions
- 2-years guarantee³⁾



OSRAM TYREinflate

Product Number	EAN	V	W	h (mm) ⁴⁾	W (mm) ⁴⁾	d (mm) ⁴⁾		
OTI1000	4052899620223	12	180	245	95	230	1	4
OTI830	4062172294492	12	180	300	125	190	1	3

TYREinflate 6000 (OTIR6000)

Features

- Large digital display with status bar
- Rapid Inflation; Inflate a 13inch tyre from flat in 2 minutes or a single airbed in 2 minutes¹⁾
- Cordless, rechargeable tyre Inflator, Air Pump with deflator function and on-board power bank
- Extra-long 70cm flexible air hose with easy access storage
- 10-piece adaptor kit & 4 x spare valve caps, 1 x spare fuse & 1 x pair of gloves
- Additional 230V AC power cable included for recharging
- Extra long power cable 3.5m with fused 12V DC plug

Benefits

- Ideal on camping and road trips. Switch easily between inflator, air pump and deflator modes
- Absolute versatility for use on bikes, air beds and various other inflatables
- Easily set required pressure for inflation, view progress and monitor battery charge
- Charge mobile electronic devices while out and about
- Ultimate convenience – use away from your vehicle or power by the cable once battery has been fully discharged
- 2-years guarantee²⁾



OSRAM TYREinflate

Product Number	EAN	V	W	h [mm] ³⁾	W [mm] ³⁾	d [mm] ³⁾		
OTIR6000	4062172294515	12	180	325	100	283	1	4

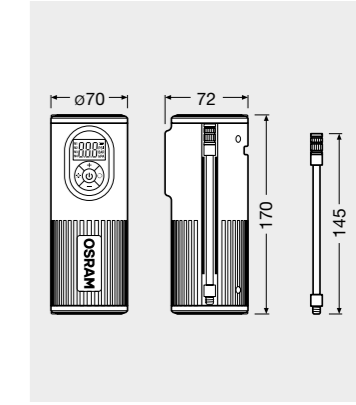
TYREinflate 2000 (OTIR2000)

Features

- Digital backlit display with memory setting showing pressure readings in BAR, kPA and PSI
- Compact and lightweight design
- Auto-Stop function, when desired pressure is reached
- Internal memory with four programmable settings
- Power bank function
- Flashlight function
- 2-piece adapter set, USB cable, bike mount and storage bag included
- Rechargeable via USB power cable

Benefits

- Ideal for on the go. Can be taken almost anywhere
- Can also be used to inflate bicycle, scooter and motorcycle tires as no 12V socket is required
- Save different pressure settings
- Charge mobile electronic devices while out and about
- Improved reading and pressure settings with illumination in dark environments
- To illuminate work area at night or in low level
- To store and mount on your bicycle
- 2-years guarantee¹⁾



OSRAM TYREinflate

Product Number	EAN	V	W	h [mm] ²⁾	W [mm] ²⁾	d [mm] ²⁾		
OTIR2000	4062172198769	3.7	67	90	87	188	1	4

OSRAM TYREseal

No more tyre changes

The tyres, as the only point of contact of a car with the road, are susceptible to tyre punctures from time to time. While many cars are equipped with a spare tyre, more and more cars are supplied with sealant repair kits. By fitting a tyre sealant kit instead of a spare tyre, the car manufacturer gains more space and can reduce the overall weight thereby reducing fuel consumption and protecting the environment.

Convenient

In most cases, it is more convenient for drivers to use a tyre sealant kit than to change a tyre, as no tools or jack are needed. Whole process is quick and easy and driver can resume his journey within 10 minutes.

The OSRAM TYREseal KIT contains a 450ml bottle of tyre sealant and a tyre compressor, which can be used as a replacement for the original tyre sealant kit from the manufacturer.

Particle gel technology

Using the latest particle gel technology, the OSRAM TYREseal KIT allows to seal tyre punctures of up to 6mm¹⁾ and inflate tyre with the included tyre inflator. After the tyre has been sealed driver can continue journey for up to 200 km to get a replacement tyre from a workshop or tyre dealer or, as the tyre sealant can also be rinsed out again, to have the tyre permanently repaired instead of buying a new one, thereby saving costs.

Original spare parts

The OSRAM TYREseal 450 is produced according to the same original standard of the car manufacturers and is also compatible with these sealing kits.

Available as a set i.e. OSRAM TYREseal KIT with sealant and tyre compressor or as OSRAM TYREseal 450 i.e. the tyre seal replacement bottle.



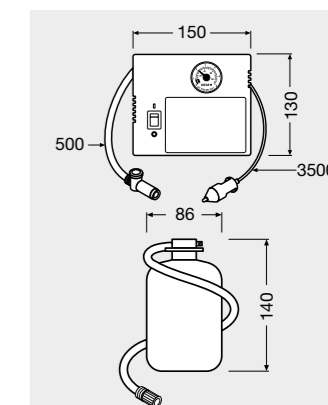
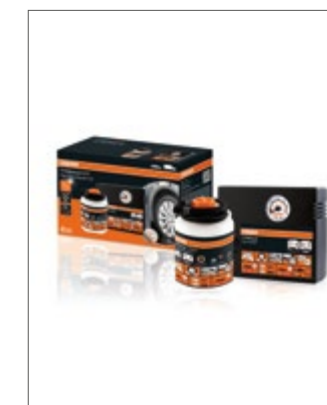
TYREseal KIT (OTSK4)

Features

- Flat tyre repair kit with sealant, tyre inflator & storage case – quick and simple to use
- TPMS Safe – works with TPMS tyre valves
- Made to OE specification – direct replacement for the cars original tyre sealant
- No tools required – no need to remove the valve core

Benefits

- 450ml TYREseal bottle + Analogue Tyre Inflator + handy storage case
- Perfect replacement for the original kit that came with your vehicle
- Can seal punctures up to 6mm wide
- Quick seal solution – be on the road in 10 minutes
- Drive for up to 200km
- Valve through sealant – no need to remove valve core
- No need for jacks or tools
- 2-years guarantee¹⁾



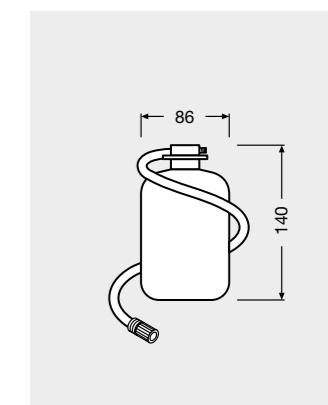
TYREseal 450 (OTSB450)

Features

- Quick repair solution – be on the road in ca. 10 minutes
- TPMS Safe – works with TPMS tyre
- Made to OE specification – direct replacement for the cars original tyre sealant
- No tools required – no need to remove the valve core

Benefits

- Flat tyre repair sealant with Particle Gel Sealant technology
- Made to original car makers' specification
- Direct replacement for the original tyre sealant that came with your vehicle
- Can seal punctures up to 6mm wide
- Quick seal solution – be on the road in 10 minutes
- Drive for up to 200km
- Universal bottle – suitable to be used with most air compressors (Min 3.0 BAR)
- 2-years guarantee¹⁾



TYREseal range

Trade Up Summary



Product number	OTSK4	OTSB450
Product name	TYREseal KIT	TYREseal 450
Display type	Analogue	N/A
Inflation time	4.5 mins ²⁾	N/A
Capacity (ml)	N/A	450
12V Power/Li-on Battery	12V	N/A
Power cable length (m)	3,5	N/A
Case	Yes	-
Gloves & Spare Dust caps	-	-

OSRAM TYREseal

Product Number	EAN	V	W	h [mm] ²⁾	W [mm] ²⁾	d [mm] ²⁾		
OTSK4	4052899620247	12	120	96	228	158	1	6
OTSB450	4052899620230	N/A	N/A	190	90	90	1	6



BATTERYcare

- BATTERYcharge
- BATTERYstart
- BATTERYtest

Discover our new range of battery care at osram.com



OSRAM BATTERYcharge

Maintain battery the way it deserves

OSRAM BATTERYcharge product range provides the ideal conditions for vehicle's battery. Even with cool temperatures, vehicle's battery will be protected and automatically maintained after it is fully charged.

Full of fantastic features

All four battery charging devices are compatible with vehicles with start-stop-automatics and protect car's battery against a complete discharge in winter mode. Lithium batteries are charged with a 7-step charging cycle, while the most common lead-acid/AGM batteries are charged with a safe 9-step charging cycle. We grant customers a 2-year OSRAM guarantee¹⁾ on all BATTERYcharge charging devices.

Easy handling, independent maintenance

All BATTERYcharge products are smart and very easy to handle. At the touch of a button, the devices start their multi-stage charging cycle and automatically switch to maintenance mode as soon as the battery is fully charged again. All units are equipped with reverse polarity and overvoltage protection.

Suitable for many vehicle types

The new BATTERYcharge 901, BATTERYcharge 904 and BATTERYcharge 906 models can handle vehicles from 6V to 12V, BATTERYcharge 908 charger can also handle vehicles up to 24V. Depending on the product, this includes motorbikes, most cars, vans and, in the case of the BATTERYcharge 908, even delivery vans and smaller trucks. Now we extend our range to charging cables for electric vehicles which give the possibility of charging at almost any charging station and BATTERYcharge PRO and BATTERYtest PRO range, which is designed for intensive, long term use in workshops and other professional environments.



BATTERYcharge range

Trade Up Summary

NEW



Product number	OEBCS901	OEBCS904	OEBCS906	OEBCS908
Product name	BATTERYcharge 901	BATTERYcharge 904	BATTERYcharge 906	BATTERYcharge 908
Charge Rate (Up to)	1 Amps	4 Amps	6 Amps	8 Amps
Maintenance Charge (Up to)	1 Amps	2 Amps	3 Amps	4 Amps
Max battery size for charging 12V	25Ah	90Ah	110Ah	150Ah
Max battery size for charging 24V	-	-	-	70Ah
Recommended to use with	Motorcycle, Car	Motorcycle, Car	Motorcycle, Car, SUV, Van	Motorcycle, Car, SUV, Van, Small Truck
Auto-Stop function	Yes	Yes	Yes	Yes
Stages: Lithium	7	7	7	7
Stages: Lead, AGM, EFB	9	9	9	9

¹⁾ Refer to www.osram.com/am-guarantee for precise conditions.

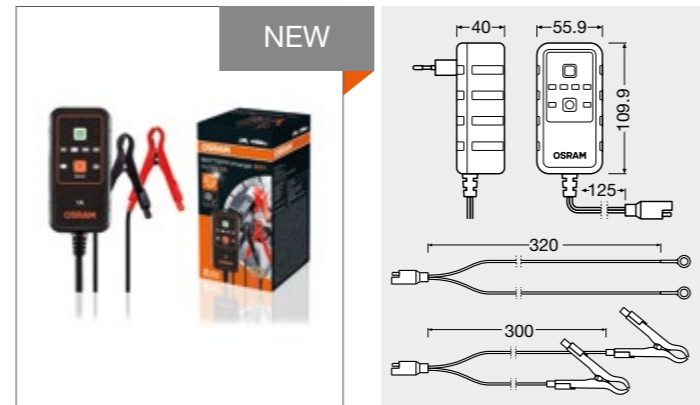
BATTERYcharge 901 (OEBCS901)

Features

- 1A charging capacity
- Plugs directly into 230V socket
- For 6V and 12V vehicles – ability to select the voltage to match your vehicle
- Up to 1.2L engine size
- Automatically adjusts to long-term maintenance mode when battery is full
- Providing power to recharge smaller battery sizes
- Clamps or O-Rings included in scope of supply for long term connection and difficult to access areas

Benefits

- Stop/Start compatible
- 9 Stage charging process for Lead Acid/AGM, 7 Stage Lithium charge profile
- Cold weather charging mode that protects batteries in cold temperatures
- Large LCD display screen that clearly shows voltage and charging process
- Reverse polarity and short-circuit protection
- One button operation for ease-of-use
- 2-years guarantee¹⁾



BATTERYcharge 904 (OEBCS904)

Features

- 4A Smart charger and battery maintainer – charge rate for smaller battery sizes
- Up to 2A or 4A charge rate selection – select your charge rate for your battery type
- For 6V and 12V vehicles – ability to select the voltage to match your vehicle
- 90Ah charging and 140Ah maintenance mode – perfect for most motorbikes and small engine vehicles

Benefits

- Stop/Start compatible
- 9 Stage charging process for Lead Acid/AGM, 7 Stage Lithium charge profile
- Cold weather charging mode that protects batteries in cold temperatures
- Large LCD display screen that clearly shows voltage and charging process
- Reverse polarity and short-circuit protection
- One button operation for ease-of-use
- 2-years guarantee¹⁾



BATTERYcharge 906 (OEBCS906)

Features

- 6A Smart charger and battery maintainer – higher power for larger battery sizes
- Up to 3A or 6A charge rate selection – variable charge rate to suit battery types
- For 6V and 12V vehicles – ability to select the voltage to match your vehicle
- 110Ah charging and 160Ah maintenance mode – suitable for most cars and vans

Benefits

- Stop/Start compatible
- 9 Stage charging process for Lead Acid/AGM, 7 Stage Lithium charge profile
- Cold weather charging mode that protects batteries in cold temperatures
- Large LCD display screen that clearly shows voltage and charging process
- Reverse polarity and short-circuit protection
- One button operation for ease-of-use
- 2-years guarantee¹⁾



BATTERYcharge 908 (OEBCS908)

Features

- 8A Smart charger and battery maintainer – higher power for larger battery sizes
- Up to 4A or 8A charge rate selection – variable charge rate to suit battery types
- For 12V and 24V vehicles – higher voltage switching to suit larger vehicles
- 12V up to 150Ah charging and 24V up to 70Ah charging – suitable for most cars, vans and small trucks

Benefits

- Stop/Start compatible
- 9 Stage charging process for Lead Acid/AGM, 7 Stage Lithium charge profile
- Cold weather charging mode that protects batteries in cold temperatures
- Large LCD display screen that clearly shows voltage and charging process
- Reverse polarity and short-circuit protection
- One button operation for ease-of-use
- 2-years guarantee¹⁾



OSRAM BATTERYcharge

Product Number	EAN	V Charging	V Input	W	h [mm] ²⁾	W [mm] ²⁾	d [mm] ²⁾		
OEBCS901	4062172248563	6/12	230	12	185	90	80	1	4
OEBCS904	4052899620520	6/12	220	920	118	116	228	1	4

OSRAM BATTERYcharge

Product Number	EAN	V Charging	V Input	W	h [mm] ²⁾	W [mm] ²⁾	d [mm] ²⁾		
OEBCS906	4052899620537	6/12	220	1380	145	128	258	1	4
OEBCS908	4052899620544	12/24	220	1840	145	128	334	1	4

OSRAM BATTERYcharge PRO

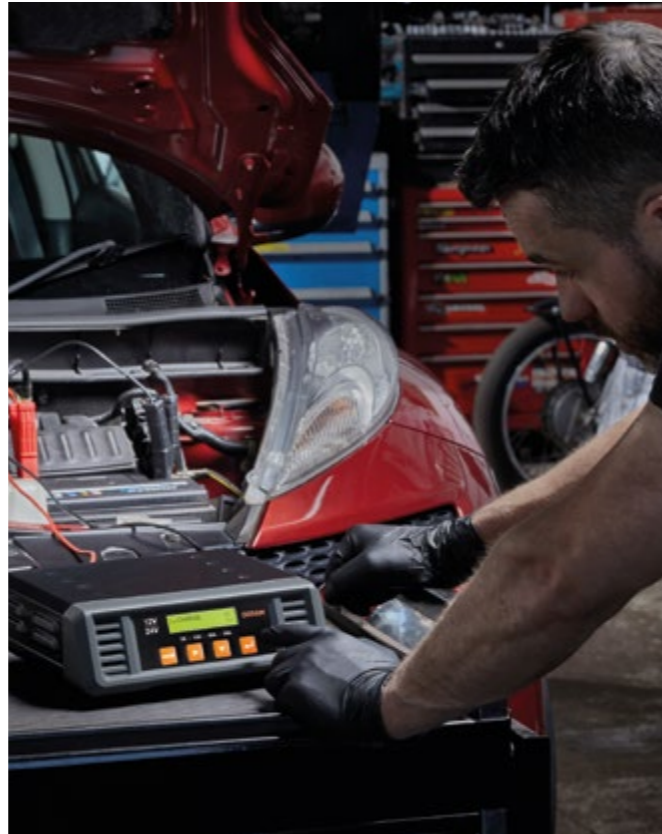
Developed by professionals – Made for professionals

Professionals need equipment that can withstand the demanding day-to-day work. That's why OSRAM has specially developed a range of battery charging and battery testing equipment for professional workshops. The new BATTERYcharge PRO and BATTERYtest PRO range is designed for intensive, long-term use in workshops and other professional environments. Using the latest technology, the OSRAM PRO range can not only charge batteries, but also, depending on the condition of the battery, allows them to be repaired and even diagnostic tests of the alternator to be carried out. Certain models also offer a battery support function to run the vehicle's electrical circuits and perform diagnostic work or data uploads.

BATTERYcharge PRO

The OSRAM BATTERYcharge PRO products are professional, intelligent battery chargers suitable for a wide range of battery types for 12V and 24V vehicles. Ideal for use when different vehicles and even entire fleets need to be maintained, especially in professional workshops or showrooms.

By selecting different battery types and charging levels, the user can set the specific charge required for the different battery types. They can deliver variable charging currents, depending on the model, up to a maximum of 100A. This is possible for lead-acid batteries as well as lithium batteries and start/stop batteries. Individual selectable variable charging rates can also provide flexible slow or fast charging to meet the requirements of each user. An integrated test function additionally enables diagnosis of the battery and alternator. OSRAM's professional battery charger with backlit display run through different charging cycles for to restore and optimize battery performance and improve charge retention.



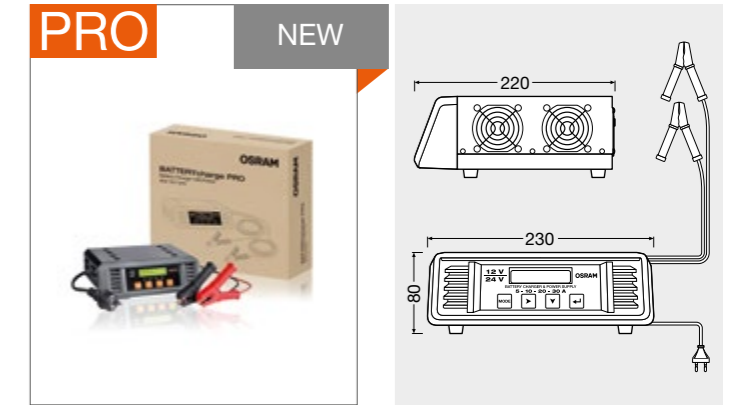
BATTERYcharge PRO 30A (OSCP3024)

Features

- Up to 30A continuous charge
- Variable charging rates 5/10/20/30A
- For 12V and 24V vehicles
- Max. Battery Capacity 300Ah, min. Battery Capacity 14Ah
- Rapid recharge in minutes
- For battery supported power supply function
- Battery and alternator diagnosis
- Pre-charge health check for your engine system
- Slimline design and easy to use menu system

Benefits

- Stop/Start compatible
- 9 Stage charging process for Lead Acid/Gel/AGM/Calcium/EFB batteries, 8 Stage Lithium charge profile
- For slow or rapid recharge that can get a battery to start in minutes
- Large LCD display screen to see charge status clearly in low light
- To check potential starting problems and cranking ability
- Making it intuitive to use removing any hassle when working
- 2-years guarantee¹⁾



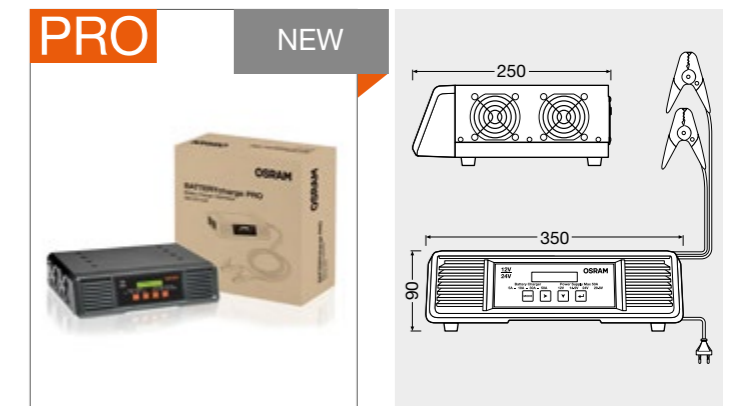
BATTERYcharge PRO 50A (OSCP5024)

Features

- Up to 50A continuous charge
- Variable charging rates 5/10/30/50A
- For 12V and 24V vehicles
- Max. Battery Capacity 500Ah, min. Battery Capacity 14Ah
- Rapid recharge in minutes
- For battery supported power supply function
- Battery and alternator diagnosis
- Pre-charge health check for your engine system
- Removable, high capacity, insulated battery clamps

Benefits

- Stop/Start compatible
- 9 Stage charging process for Lead Acid/Gel/AGM/Calcium/EFB batteries, 7 Stage Lithium charge profile
- For slow or rapid recharge that can get a battery to start in minutes
- Large LCD display screen to see charge status clearly in low light
- To check potential starting problems and cranking ability
- Making it intuitive to use removing any hassle when working
- 2-years guarantee¹⁾



BATTERYcharge PRO range

Trade Up Summary



Product number	OSCP3024	OSCP5024	OSCP10024	OSCP60T
Product name	BATTERYcharge PRO 30A	BATTERYcharge PRO 50A	BATTERYcharge PRO 100A	BATTERYcharge PRO 60A
Variable charging rates	5/10/20/30A	5/10/30/50A	5/10/30/50/60/100A ¹⁾ 5/10/30/50/60/80A ²⁾	5/20/60A ³⁾
Continuous charge (Up to)	30A	50A	100A	60A ⁴⁾ /30A ⁵⁾
Max. battery capacity	300Ah	500Ah	1000Ah	700Ah
Min. battery capacity	14Ah	14Ah	14Ah	14Ah
Recommended to use with	Motorcycle, Car, 4x4, Commercial Vehicle, Boat	Motorcycle, Car, 4x4, Commercial Vehicle, Boat	Motorcycle, Car, 4x4, Commercial Vehicle, Boat	Motorcycle, Car, 4x4, Commercial Vehicle, Boat
Auto-Stop function	Yes	Yes	Yes	Yes
Stages: Lithium	8	7	7	7
Stages: Lead Acid/Gel/AGM/Calcium/EFB	9	9	9	3

OSRAM BATTERYcharge PRO

Product Number	EAN	V	h [mm] ²⁾	W [mm] ²⁾	d [mm] ²⁾	Stages	Clamps
OSCP3024	4052899629073	12/24	365	266	97	1	4
OSCP5024	4052899629080	12/24	412	368	122	1	2

BATTERYcharge PRO 100A (OSCP10024)

Features

- Up to 100A continuous charge
- Variable charging rates 12V: 5/10/30/50/60/100A; 24V: 5/10/30/50/60/80A
- For 12V and 24V vehicles
- Max. Battery Capacity 1000Ah, min. Battery Capacity 14Ah
- Rapid recharge in minutes
- For battery supported power supply function
- Battery and alternator diagnosis
- Pre-charge health check for your engine system
- Removable, high capacity, insulated battery clamps

Benefits

- Stop/Start compatible
- 9 Stage charging process for Lead Acid/Gel/AGM/ Calcium/EFB batteries, 7 Stage Lithium charge profile
- For slow or rapid recharge that can get a battery to start in minutes
- Large LED colour display screen to see charge status clearly in low light
- To check potential starting problems and cranking ability
- Making it intuitive to use removing any hassle when working
- 2-years guarantee¹⁾



BATTERYcharge PRO 60A (OSCP60T)

Features

- Up to 60A Continuous charge at 12V and 30A at 24V
- Variable charging rates 12/24V at 5/20/60A
- For 12V and 24V vehicles
- Max. Battery Capacity 700Ah, min. Battery Capacity 14Ah
- 540A Jump start function
- For battery supported power supply function
- Insulated, high capacity battery clamps
- Transport handle and wheels
- Panel selection

Benefits

- Stop/Start compatible
- 3 Stage charging process for Lead Acid/Gel/AGM/ Calcium/EFB batteries, 7 Stage Lithium charge profile
- For slow or rapid recharge that can get a battery to start in minutes
- Large LED display screen to see charge status clearly in low light
- To check potential starting problems and cranking ability
- Making it intuitive to use removing any hassle when working
- 2-years guarantee¹⁾



OSRAM BATTERYcharge PRO

Product Number	EAN	V	h [mm] ²⁾	W [mm] ²⁾	d [mm] ²⁾		
OSCP10024	4052899629103	12/24	415	380	117	1	2
OSCP60T	4052899629141	12/24	587	383	327	1	1

OSRAM BATTERYtest PRO

The OSRAM BATTERYtest PRO Battery Analyser

Can carry out a complete functional test of the battery and the electrical systems in 12V and 24V vehicles such as motorbikes, cars, vans and trucks. By checking the battery, alternator, starter and earthing, it also provides a comprehensive overview of the condition of a vehicle's starter and charging system.

Battery Test - helps determine battery health. For use on car batteries up to 2000A and Motorcycle Batteries up to 600A only. For car batteries the rating of the battery can be selected, ensure the test parameters match the rating on the battery.

Starter Test - helps determine the condition of the starter motor and battery during engine cranking. The drop of battery Voltage during the starting process is measured. This can indicate if the battery has aged or the starter motor has a problem.

Alternator Test - confirms if the alternator charging Voltage is within the correct limits to avoid under or overcharging of the battery.

The results can be printed out via the built-in thermal printer or transferred to a computer via SD card.

The scope of delivery also includes a protective case for tidy storage and easy transport. In addition, OSRAM provides a 2-years guarantee on this product¹⁾



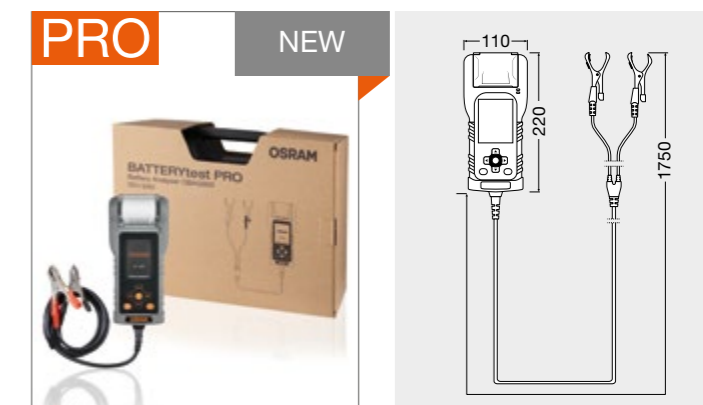
BATTERYtest PRO (OBAG900)

Features

- For 12V and 24V vehicles
- Vehicle Selection mode
- Battery Test, Starter Test, Alternator Test, Earth Test
- Integrated thermal printer
- Memory storage for up to 80 results
- PC Software included
- Voltmeter function
- Robust storage case included in scope of supply

Benefits

- Can provide a complete health check of the battery and electrical systems
- Detect battery charging problems by checking alternator voltages fall within normal operating ranges
- Check for potential starting problems by measuring battery voltage drop during engine cranking
- For download of results and full report printing
- A handy voltmeter feature checks for flat batteries before each test
- 2-years guarantee¹⁾



OSRAM BATTERYtest PRO

Product Number	EAN	V	h [mm] ²⁾	W [mm] ²⁾	d [mm] ²⁾		
OBAG900	4052899624061	12/24	266	97	365	1	4

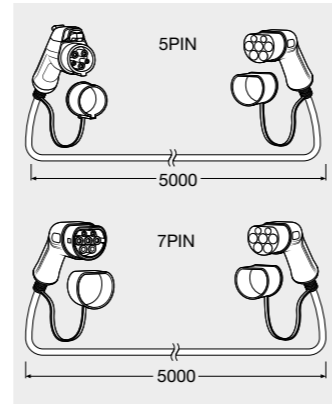
BATTERYcharge CHARGING CABLES FOR ELECTRIC VEHICLES

Features

- Compliant for fully electric vehicles and for plug in hybrid vehicles
- Compatible with Type 2 charging stations
- Compatible with vehicles with a Type 1 or Type 2 charging connector (depending on product type)
- Charging power 16A up to 3.6 kW, and 32A up to 22 kW
- Length 5m
- Handles equipped with protection caps
- Protection class: IP65, IK10
- TUV and CE certification

Benefits

- At home, on your workplace or for public charging stations
- Tailored to individual needs
- Ergonomically designed handles for comfortable grip
- Resistant and robust, with EVA case for easy transport, storage and protection against damage
- Protection caps to prevent dust and water ingress
- Superior quality- checked and tested
- Up to 20.000 hours life cycle
- 2-years guarantee¹⁾



BATTERYcharge CHARGING CABLES FOR ELECTRIC VEHICLES range

Trade Up Summary

Product number	OCC11605	OCC21605	OCC13205	OCC23205	OCC23P05
Product name	BATTERYcharge 5PIN 1PHASE	BATTERYcharge 7PIN 1PHASE	BATTERYcharge 5PIN 1PHASE	BATTERYcharge 7PIN 1PHASE	BATTERYcharge 7PIN 3PHASE
Current	16A	16A	32A	32A	32A
Max power	3.6 kW	3.6 kW	7.2 kW	7.2 kW	22 kW
Voltage	240V	240V	240V	240V	480V
Number of phases	1	1	1	1	3
Vehicle charger type	Type 1	Type 2	Type 1	Type 2	Type 2
Charging point charger type	Type 2	Type 2	Type 2	Type 2	Type 2
Length	5m	5m	5m	5m	5m
Life time (up to h)	20 000	20 000	20 000	20 000	20 000

OSRAM BATTERYcharge CHARGING CABLES FOR ELECTRIC VEHICLES

Product Number	EAN	V	W	h [mm] ²⁾	W [mm] ²⁾	d [mm] ²⁾		
OCC11605	4052899624108	240	3.6	390	110	370	1	4
OCC21605	4052899624115	240	3.6	390	110	370	1	4
OCC13205	4052899624146	240	7.2	390	110	370	1	4
OCC23205	4052899624122	240	7.2	390	110	370	1	4
OCC23P05	4052899624139	480	22	390	110	370	1	4

¹⁾ Refer to www.osram.com/am-guarantee for precise conditions.
²⁾ Packaging dimensions (height x width x depth).

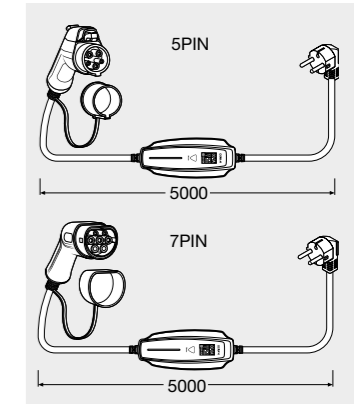
BATTERYcharge CHARGING CABLES FOR ELECTRIC VEHICLES - PORTABLE

Features

- Compliant for fully electric vehicles and for plug in hybrid vehicles
- Compatible with a 2-pin socket thanks to the Schuko plug
- Compatible with vehicles with a Type 1 or Type 2 charging connector (depending on product type)
- Variable charging rates of 1.3/2.2/3.6 kW
- Variable charging currents of 6A/10A/16A
- Length 5m
- Protection class: IP65, IK10
- TUV and CE certification

Benefits

- To use without a wall box. At home and on the move, charge the car wherever you have access to a 230V socket
- Tailored to individual needs
- Ergonomically designed handles for comfortable grip
- Resistant and robust, with EVA case for easy transport, storage and protection against damage
- Protection caps to prevent dust and water ingress
- Superior quality- checked and tested
- Up to 20.000 hours life cycle
- 2-years guarantee¹⁾



BATTERYcharge CHARGING CABLES FOR ELECTRIC VEHICLES - PORTABLE range

Trade Up Summary

Product number	OPC10A05	OPC20A05
Product name	BATTERYcharge 5PIN PORTABLE	BATTERYcharge 7PIN PORTABLE
Current	6A / 10A / 16A	6A / 10A / 16A
Max power	3.6 kW	3.6 kW
Voltage	240V	240V
Number of phases	1	1
Vehicle charger type	Type 1	Type 2
Charging point charger type	230V Main Plug	230V Main Plug
Length	5m	5m
Life time (up to h)	20 000	20 000

OSRAM BATTERYcharge CHARGING CABLES FOR ELECTRIC VEHICLES - PORTABLE

Product Number	EAN	V	W	h [mm] ²⁾	W [mm] ²⁾	d [mm] ²⁾		
OPC10A05	4052899624085	240	3.6	310	410	90	1	4
OPC20A05	4052899624092	240	3.6	310	410	90	1	4

¹⁾ Refer to www.osram.com/am-guarantee for precise conditions.
²⁾ Packaging dimensions (height x width x depth).

OSRAM BATTERYstart

Emergency helper

It is easy to become independent of third-party help with OSRAM's BATTERYstart with lithium-cobalt-technology. Thanks to their compact build, all five jump start batteries are easily stored in vehicle's glove compartment and therefore always ready to use if needed. Thanks to the full range of our starter cables commercial vehicles and trucks have a quick and easy solution connecting the battery between the donor and the consumer vehicle.

Small but powerful

Convenient dimensions and – depending on the model – a weight of 300g to 840g: The BATTERYstart jump start batteries are handy and powerful, all in one. Thanks to the fast charging function, you can in a flash recharge BATTERYstart 260 and BATTERYstart 360 and other mobile devices. Built-in safety precautions prevent damage from, for example, polarity reversal, overheating or a short circuit.

Ready at the push of a button

To jump start a vehicle, both jump leads should be connected to the car battery according to their poles. The correct connection and disconnection sequence is described in the instructions. At the push of a button, the BATTERYstart products release a pulse triggering battery.

Suitable for many vehicle types

The BATTERYstart family includes jump start devices suitable for 3l to 8l petrol engines or 4l diesel engines. With the right device, driver can start smaller cars and motorcycles as well as vehicles through to SUVs, box vans and vans. BATTERYstart 400 is also equipped with a 12V socket and can therefore supply power to accessories with a 12V plug outside the vehicle, such as coolers, fans or portable tyre inflators.



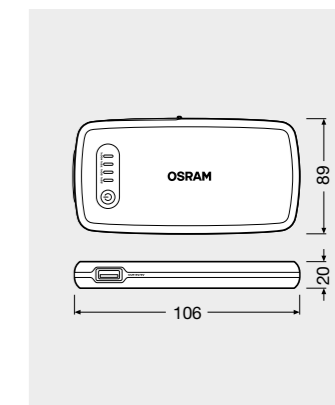
BATTERYstart 200 (OBSL200)

Features

- A compact lithium starter – easy to carry, use and store
- 6000mAh battery – for small to medium cars and vans up to 3l (petrol)
- Power bank function with a fast charging USB socket – charge a device on the go
- 2h recharge time – have fully charged and ready to use quickly (micro USB charging cable included)

Benefits

- Intelligent clamps safely manage power between the jump starter and vehicle
- Reverse polarity, short circuit and anti-spike protection
- Includes integrated LED torch with flashing function to attract attention or to illuminate engine etc. bay in low light conditions or at night
- 2-years guarantee¹⁾



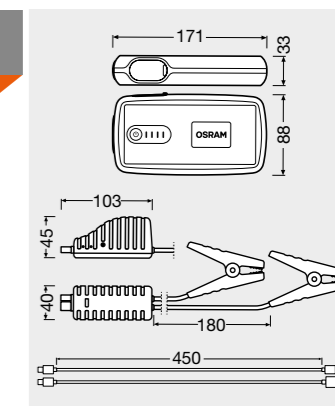
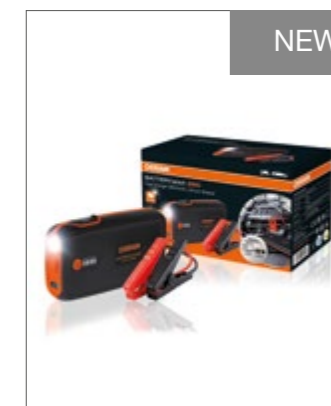
BATTERYstart 260 (OBSL260)

Features

- A compact lithium starter – easy to carry, use and store
- 9000mAh – to jump start 12V vehicles, up to 4l (petrol) and 2l (diesel)
- USB output: PD30 Type C: 5V 3A, 9V 3A, 12V 2.5A, 15V 2A, 20V 1.5A
- USB output: QC 3.0 USB: 5V 2.4A, 9V 2A, 12V 1.5A
- Start current 200 A; Peak current 1000A
- Power bank function with a fast charging USB at up to PD30W speed
- Recharge time: 1 hour²⁾ or 3 hours³⁾

Benefits

- Manages the transfer of power between the jump starter and the vehicle making it integrally safe for users
- Intelligent clamps safely manage power between the jump starter and vehicle
- Includes integrated LED torch with flashing function to attract attention or to illuminate engine etc. bay in low light conditions or at night
- Reverse polarity, short circuit and anti-spike protection
- 2-years guarantee¹⁾



BATTERYstart range

Trade Up Summary



Product number	OBSL200	OBSL260	OBSL300	OBSL360	OBSL400	OEBSPL700
Product name	BATTERYstart 200	BATTERYstart 260	BATTERYstart 300	BATTERYstart 360	BATTERYstart 400	BATTERYstart PRO700
Battery Capacity	6000mAh	9000mAh	13000mAh	13000mAh	16800mAh	24000mAh
Starting Current	150A	200A	300A	300A	400A	650A
Peak Current	500A	1000A	1500A	1500A	2000A	1500A
Light	LED light	LED light	LED light	LED light	LED light	No light
Charging time	2h	1h ¹⁾ / 3h ²⁾	3h	1.5h ¹⁾ / 4.5h ²⁾	3h	60sec ³⁾
Power Bank Function	Yes	Yes	Yes	Yes	Yes	No
USB sockets 2.1A	1	1+PD30 type C	2	1+PD30 type C	2	0
Storage case	Yes	Yes	Yes	Yes	Yes	No

OSRAM BATTERYstart

Product Number	EAN	V	h [mm] ⁴⁾	W [mm] ⁴⁾	d [mm] ⁴⁾	Light	Storage case
OBSL200	4052899620476	12	86	222	120	1	4
OBSL260	4052899620483	12	134	220	96	1	4

1) Using 30W charger. 2) Using 5V 2A charger. 3) Rapid recharge - Leaving the clamps connected to the vehicle will recharge the jump starter from the vehicle alternator in around 60 seconds if the starter is fully charged before use.

1) Refer to www.osram.com/am-guarantee for precise conditions. 2) Using 30W charger. 3) Using 5V 2A charger. 4) Packaging dimensions (height x width x depth).

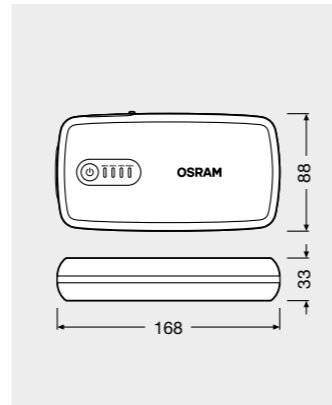
BATTERYstart 300 (OBSL300)

Features

- A compact lithium starter – easy to carry, use and store
- 13000mAh battery – for small to medium cars and vans up to 6l (petrol) and 3l (diesel)
- Power bank function with 2 x USB charging sockets – charge 2 devices on the go
- 3h recharge time – have fully charged and ready to use quickly (micro USB charging cable included)
- 4 cell lithium battery – delivers a higher starting voltage

Benefits

- Intelligent clamps safely manage power between the jump starter and vehicle
- Reverse polarity, short circuit and anti-spike protection
- Includes integrated LED torch with flashing function to attract attention or to illuminate engine etc. bay in low light conditions or at night
- Utilize 4 cell battery for higher jump starting voltage
- 2-years guarantee¹⁾



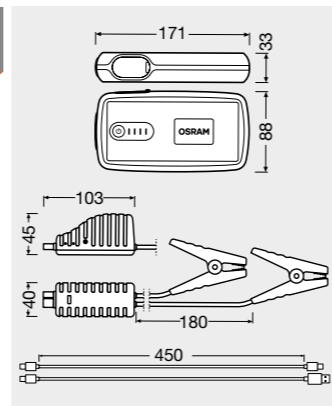
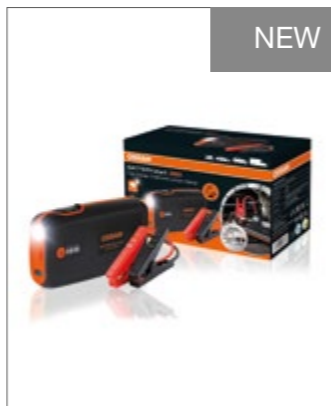
BATTERYstart 360 (OBSL360)

Features

- A compact lithium starter – easy to carry, use and store
- 13000mAh – to jump start 12V vehicles, up to 6l (petrol) and 3l (diesel)
- USB output: PD30 Type C: 5V 3A, 9V 3A, 12V 2.5A, 15V 2A, 20V 1.5A
- USB output: QC 3.0 USB: 5V 2.4A, 9V 2A, 12V 1.5A
- Start current 300A; Peak current 1500A
- Power bank function with a fast charging USB at up to PD30W speed
- Recharge time: 1.5 hours²⁾ or 4.5 hours³⁾

Benefits

- Manages the transfer of power between the jump starter and the vehicle making it integrally safe for users
- Includes integrated LED torch with flashing function to attract attention or to illuminate engine etc. bay in low light conditions or at night
- Intelligent clamps to safely manage power between the jump starter and vehicle
- 2-years guarantee¹⁾



OSRAM BATTERYstart

Product Number	EAN	V	h [mm] ⁴⁾	W [mm] ⁴⁾	d [mm] ⁴⁾	Image 1	Image 2
OBSL300	4052899620483	12	86	222	120	1	4
OBSL360	4062172264341	12	134	220	96	1	4

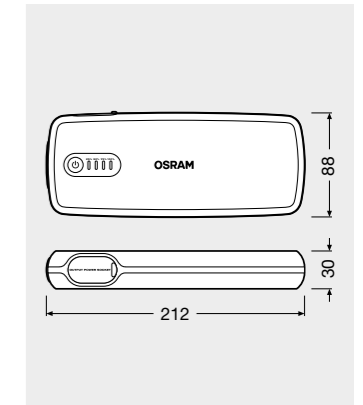
BATTERYstart 400 (OBSL400)

Features

- Safe and compact lithium jump starter – easy to carry, use and store
- 16800mAh – for small/medium/large cars and vans up to 8l (petrol) and 4l (diesel)
- Power bank function with 2 x USB charging sockets – charge 2 devices on the go
- 4h recharge time – have fully charged and ready to use quickly (micro USB charging cable included)
- 12V socket output – power 12V products for leisure and work

Benefits

- Comes with a 12V socket connection for extra power options (e.g. 12V cooler box, 12V inflator)
- Compact design that fits easily into your glovebox
- Intelligent clamps to safely manage power between the jump starter and vehicle
- Reverse polarity, short circuit and anti-spike protection
- Includes integrated LED torch with flashing function to attract attention or to illuminate engine etc. bay in low light conditions or at night
- 2-years guarantee¹⁾



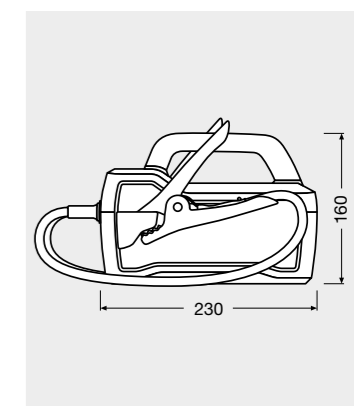
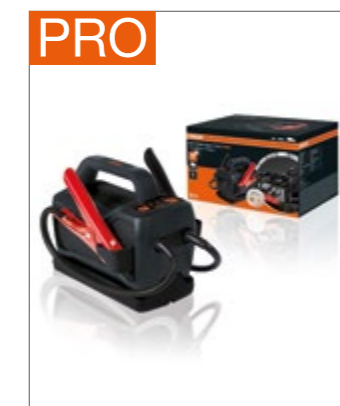
BATTERYstart PRO 700 (OEBSPL700)

Features

- Compact professional lithium starter – with a lithium phosphate battery (LiFePO4)
- Rapid Recharge²⁾ – fully recharged in 60 seconds
- 24000mAh – for small/medium/large cars and vans up to 8l (petrol) and 4l (diesel) vehicles
- 650 Starting Amps – power to start vehicles in workshop conditions

Benefits

- Rapid Recharge²⁾ – leaving the clamps connected to the vehicle will recharge the jump starter from the vehicle alternator in around 60 seconds if the starter is fully charged before use
- 1500 Peak Amps/650 Starting Amps
- 75% lighter than an equivalent lead acid jump starter
- Multiple safety protections
- Mains docking station included for easy charging
- 2-years guarantee¹⁾



OSRAM BATTERYstart

Product Number	EAN	V	h [mm] ³⁾	W [mm] ³⁾	d [mm] ³⁾	Image 1	Image 2
OBSL400	4052899620490	12	104	264	130	1	4
OEBSPL700	4052899620506	12.8	222	316	216	1	1

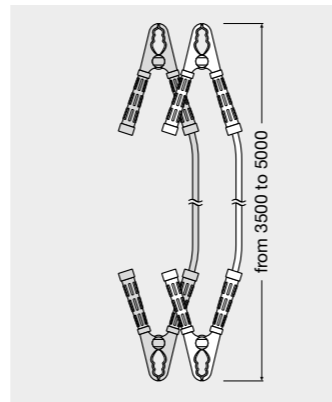
PROFESSIONAL BATTERYstart STARTER CABLE

Features

- Suitable for starting vehicles with petrol and diesel engines with capacity from $\leq 5.5l$ to $\leq 9.5l$
- Peak Amps from 700A to 1200A
- Continuous amp rating from 350A to 600A
- Length from 3.5m to 5m
- Cross section area from 25mm² to 50mm²
- Suitable for voltages of 12V and 24V
- Pure multistrand copper cables
- Colour coded, insulated cable, handles and clamps
- TÜV & GS tested and certified

Benefits

- For transferring the charging current to start even almost completely discharged batteries
- Extremely low resistance for a consistent effective transfer of charge
- Pure copper for significantly better conductivity
- Resistant and robust, yet flexible even in colder ambient temperatures
- Easily identify correct polarity
- Tidy storage in a space saving manner
- 2-years guarantee¹⁾



PROFESSIONAL BATTERYstart STARTER CABLE range

Trade Up Summary



Product number	OSC250	OSC350	OSC500
Product name	PROFESSIONAL BATTERYstart STARTER CABLE 700A	PROFESSIONAL BATTERYstart STARTER CABLE 900A	PROFESSIONAL BATTERYstart STARTER CABLE 1200A
Peak amps	700A	900A	1200A
Continuous amp Rating	350A	450A	600A
Voltage	12V/24V	12V/24V	12V/24V
Length	3.5m	4.5m	5.0m
Cross sectional area	25mm ²	35mm ²	50mm ²
Engine Size	$\leq 5,5l$	$\leq 7,0l$	$\leq 9,5l$
Engine Type	Petrol/Diesel	Petrol/Diesel	Petrol/Diesel
Storage Bag	Yes	Yes	Yes

OSRAM PROFESSIONAL BATTERYstart STARTER CABLE

Product Number	EAN	V	h [mm] ²⁾	w [mm] ²⁾	d [mm] ²⁾	1	4
OSC250	4062172220897	12/24	60	250	250	1	4
OSC350	4062172220934	12/24	60	250	250	1	4
OSC500	4062172221016	12/24	100	340	340	1	2

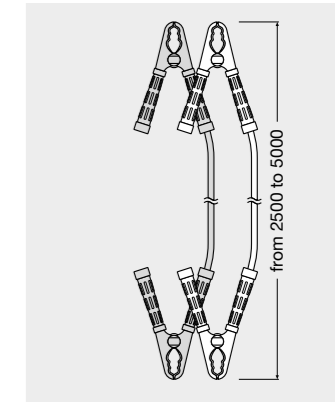
BATTERYstart STARTER CABLE

Features

- Suitable for starting vehicles with a petrol engine with capacity from $\leq 1.6l$ to $\leq 2.5l$ and petrol and diesel engines with capacity from $\leq 3.5l$ to $\leq 9.5l$
- Peak Amps from 150A to 1200A
- Continuous amp rating from 75A to 600A
- Length from 2.5m to 5m
- Cross section area from 6mm² to 50mm²
- Suitable for voltages of 6V, 12V and 24V
- Copper Coated Aluminum
- Colour coded, insulated cable, handles and clamps

Benefits

- For transferring the charging current to start even almost completely discharged batteries
- Reduced resistance for a consistent effective transfer of charge
- Resistant and robust, yet flexible even in colder ambient temperatures
- Less risk of mixing up the positive and negative terminals and therefore less risk of incorrect connection to the battery
- Tidy storage in a space saving manner
- 2-years guarantee¹⁾



BATTERYstart STARTER CABLE range

Trade Up Summary



Product number	OSC060	OSC101	OSC160	OSC250A	OSC350A	OSC500A
Product name	BATTERYstart STARTER CABLE 150A	BATTERYstart STARTER CABLE 200A	BATTERYstart STARTER CABLE 300A	BATTERYstart STARTER CABLE 700A	BATTERYstart STARTER CABLE 900A	BATTERYstart STARTER CABLE 1200A
Peak amps	150A	200A	300A	700A	900A	1200A
Continuous amp Rating	75A	100A	150A	350A	450A	600A
Voltage	6V/12V	6V/12V	6V/12V	12V/24V	12V/24V	12V/24V
Length	2.5m	3.0m	3.0m	3.5m	4.5m	5.0m
Cross sectional area	6mm ²	8.5mm ²	16mm ²	25mm ²	35mm ²	50mm ²
Engine Size	$\leq 1,6l$	$\leq 2,0l$	$\leq 3,5l$	$\leq 5,5l$	$\leq 7,0l$	$\leq 9,5l$
Engine Type	Petrol	Petrol	Petrol/Diesel	Petrol/Diesel	Petrol/Diesel	Petrol/Diesel
Storage Bag	Yes	Yes	Yes	Yes	Yes	Yes

OSRAM BATTERYstart STARTER CABLE

Product Number	EAN	V	h [mm] ²⁾	w [mm] ²⁾	d [mm] ²⁾	1	4
OSC060	4062172220835	6/12	60	250	250	1	4
OSC101	4062172220859	6/12	60	250	250	1	4
OSC160	4062172220873	6/12	60	250	250	1	4
OSC250A	4062172220910	12/24	60	250	250	1	4
OSC350A	4062172220958	12/24	60	250	250	1	4
OSC500A	4062172220996	12/24	100	340	340	1	2



Dash cameras

– ROADsight



Discover our new range of dash cameras at osram.com



OSRAM ROADsight

Inconspicuous companion

The OSRAM ROADsight dashcams are designed in discreet dark greys. Due to their small exterior dimensions, the compact, small cameras blend unobtrusively into the car interior and are almost invisible from the outside. Placed behind the rear-view mirror, the dashcams are now hardly noticeable and driver can concentrate fully on traffic.

Access via app

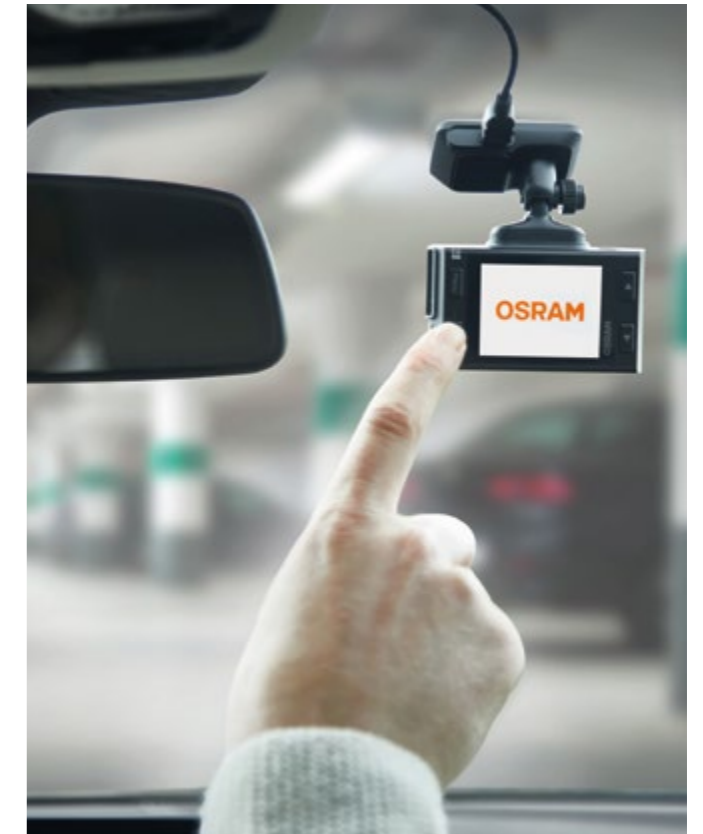
The OSRAMconnect App, downloadable from the Apple App Store or Google PlayStore, connects user to his car¹⁾. In no time at all, driver can transfer the images from ROADsight 30 or ROADsight 50 dashcams (including ROADsight REAR 10, if applicable) to the smartphone and save them there²⁾.

Easy installation

Each ROADsight dashcam comes with tools for installing cables behind the vehicle's interior trim. This allows the power cable with USB connection and 12V plug to be installed almost invisibly inside the car. Once the mount is attached to the windshield, the dashcam can be clipped onto it magnetically and moved to the desired recording position.

A camera for more rear-view

Sticked to the rear window, the ROADsight REAR 10 rear camera can record either the vehicle interior or the road behind. In both cases, the rear camera must be connected with a cable to the ROADsight 50 dashcam.



Dash cameras | ROADsight

ROADsight range

Trade Up Summary



Product number	ORSDC20	ORSDC30	ORSDC50	ORSDCR10
Product name	ROADsight 20	ROADsight 30	ROADsight 50	ROADsight REAR 10 ³⁾
Video resolution	1080p	1080p	1440p	1080p
Viewing angle	120°	130°	140°	130°
Screen	2"	2"	No	No
GPS Tracking	No	No	Yes	No
WiFi	No	Yes	Yes	No
OSRAM connect	No	Yes	Yes	No
Parking Mode	No	Yes	Yes	No
Card capacity	Up to 32GB	Up to 32GB	Up to 128GB	No

1) ROADsight dashcams come with firmware in 11 different languages: CZ, DE, EN, ES, FR, IT, NL, PL, RO, RU, SE. The OSRAMconnect App provides 7 languages: DE, EN, ES, FR, IT, NL, PL. 2) Please note: Individual special requirements and legislation of the countries must be observed, especially concerning the duration of the records/use and the transfer of data. Please make yourself familiar with the data protection laws of your country and ensure that you comply with them. Please also familiarize yourself and comply with the relevant laws and regulations regarding the use and ownership of dashcams in your country. 3) Only for use with ORSDC50.

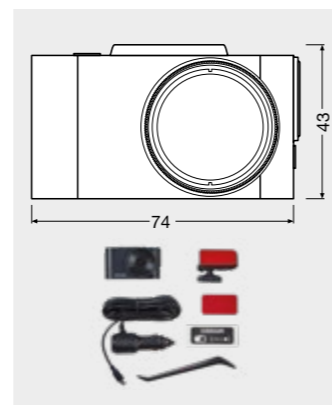
ROADsight 20 (ORSDC20)

Features

- Full HD 1080p 30fps recording
- 120° field of view
- 2inch screen
- Magnetic mount
- G-sensor
- Micro SD card slot for up to 32GB capacity
- Power cable with USB port
- Trim installation/removal tool included

Benefits

- For clear, high recording quality
- Capture a wide view of the road
- Compact design that includes a screen for ease of use
- Easy installation and removal
- Automatically saves files in the event of a collision
- For saving important footage
- Easy power supply
- For ease of installation
- 2-years guarantee¹⁾



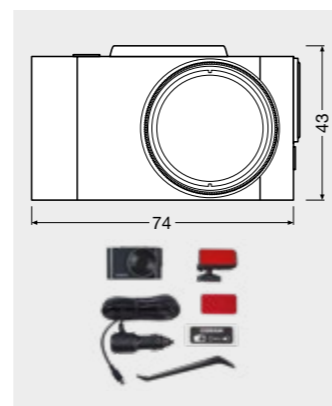
ROADsight 30 (ORSDC30)

Features

- Full HD 1080p 30fps recording
- 130° field of view
- 2inch screen
- Magnetic mount
- G-sensor
- Micro SD card slot for up to 32GB capacity
- Power cable with USB port
- WiFi enabled & OSRAMconnect
- Trim installation/removal tool included

Benefits

- For clear, high recording quality
- Capture a wide view of the road
- Compact design that includes a screen for ease of use
- Easy installation and removal
- Automatically saves files in the event of a collision
- For saving important footage
- Easy power supply
- For ease of installation
- 2-years guarantee¹⁾



OSRAM ROADsight

Product Number	EAN	V	W	h [mm] ²⁾	W [mm] ²⁾	d [mm] ²⁾		
ORSDC20	4062172182706	5	7.5	182	121	87	1	4
ORSDC30	4062172182720	5	7.5	182	121	87	1	4

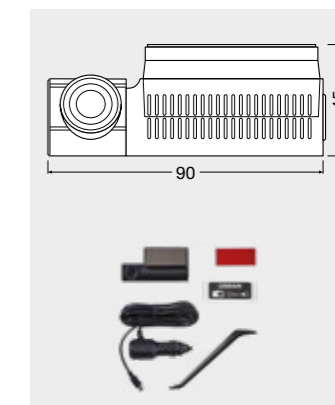
ROADsight 50 (ORSDC50)

Features

- Full HD 1440p 30fps recording
- 140° field of view
- GPS
- Magnetic mount
- G-sensor
- Micro SD card slot for up to 128GB capacity
- Power cable with USB port
- Parking mode
- WiFi enabled & OSRAMconnect (required)
- Trim installation/removal tool included

Benefits

- For clear, high recording quality
- Capture a wide view of the road
- Compact design, easy installation and removal
- Track your vehicle location and speed
- Automatically saves files in the event of a collision
- For saving important footage
- See your car's surroundings and features in the dark
- Easy power supply
- For ease of installation
- 2-years guarantee¹⁾



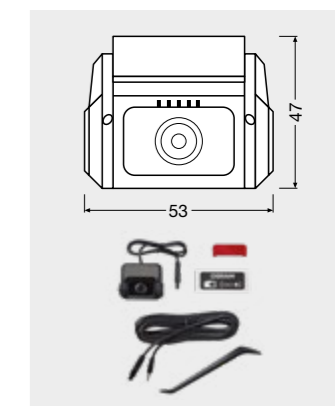
ROADsight REAR 10 (ORSDCR10)

Features

- Full HD 1080p 30fps recording
- 130° field of view
- Discreet rear camera³⁾
- OSRAM ROADsight 50 (required)
- Micro SD card slot for up to 128GB capacity
- Trim installation/removal tool included

Benefits

- Captures rear view of the road
- Full HD recording quality
- Compact design
- For an almost full picture of what is going on around your vehicle
- Discreet design to not distract whilst driving
- 2-years guarantee¹⁾



OSRAM ROADsight

Product Number	EAN	V	W	h [mm] ²⁾	W [mm] ²⁾	d [mm] ²⁾		
ORSDC50	4062172182744	5	7.5	182	121	87	1	4
ORSDCR10	4062172182768	5	7.5	182	121	87	1	4

Download the latest OSRAM Automotive cataloge to see our full range of lighting products.
www.osram.com/am-catalog-digital



Not sure which lamps fit your customer's vehicle? Use our online lamp finder tool to find out.
www.osram.com/vehiclelamps



Stay up to date.
Follow OSRAM Automotive on social media

Facebook
www.facebook.com/osramautomotive



Instagram
www.instagram.com/osram.automotive



YouTube
www.osram.com/am-youtube



Distributor:

OSRAM GmbH

Head office:

Marcel-Breuer-Strasse 6
80807 Munich, Germany
Phone: +49 89 6213-0
Fax: +49 89 6213-2020
www.osram.com

OSRAM